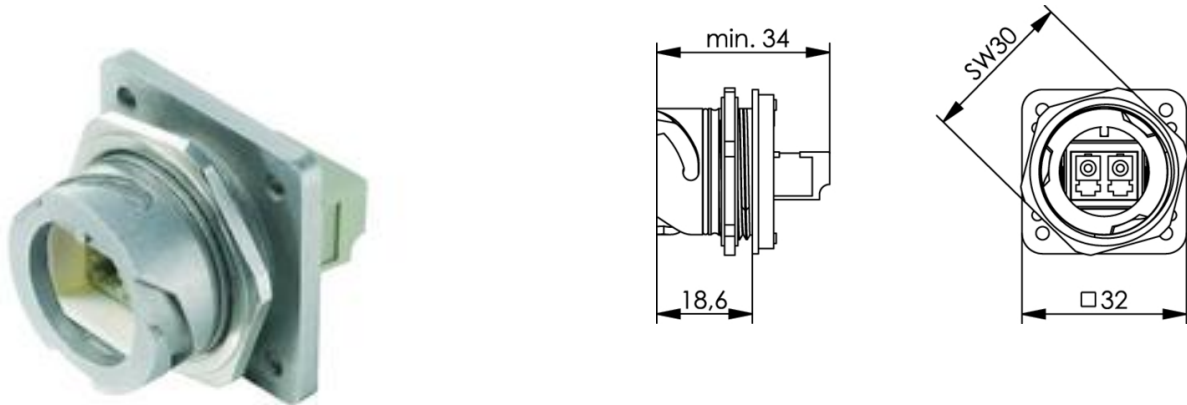


order number: J88074A0002

STX V1 bulkhead set LC-Duplex adaptor MM metal



Technical Attributes	
Description	STX V1 bulkhead set
Housing	metal
Fiber type	Multimode
Insert	LC Duplex
Mount. dim.	Z124; Z125

Description of the Series/Product Category

Notice: The following information refer to the series/product category as a whole. Please see the specific data sheet for specific technical information of a particular product.

Modern industrial and building wiring envisions linking the office network with the manufacturing network and its subordinate production cells and machinery. The applicable standard for this, ISO/IEC 24702 resp. EN 50173-1 and -3, are intended for situations with a high level of bidirectional traffic between the administration and manufacturing areas whereby realtime transmissions with high security, 100% availability and simultaneous high investment security must all be guaranteed. The increasing interconnection of machinery, equipment and measuring instruments in the production area using connectors already known from office wiring applications demands that these be adapted to the higher stresses presented by the

contamination-prone, rough industrial environment. Aside from a variety of RJ45, IP67 M12 D- and X-coded connectors, Telegärtner therefore also offers designs for connecting glass and polymer fibres in order to meet this challenge.

Connectors for modern industrial applications need to be designed in such a way that they simplify processes and cope with faster data transmission. Telegärtner recommends the connectors of Variant 1 for generic cabling of factory automation machinery (Automation Island, ODVA) acc. IEC 61918 in a robust metal or plastic design. The connectors of Variant 1 are standardized in the IEC 61076-3-106, designed to meet the demands of harsh industrial environments, guaranteeing protection class IP67 whether mated or unmated (using the IP67 protection cap). Furthermore, the modular principle - which is used on all connectors with STEADYTEC®-Technology allows us to offer a wide range of products. Benefit from maximum flexibility and choose the insert you need! The RJ45 plug and bulkhead inserts stand out due to high power reserves and offer transmission characteristics of Class E_A acc. to ISO/IEC 11801. The FO plug and bulkhead inserts are available for GOF and POF-fibres and provide the most suitable solution for every application.

Performance Characteristics

- Variant 1 acc. to IEC 61076-3-106
- protection class IP67
- available with RJ45 Cat.6_A, Cat.6 Class E_A, USB or FO insert
- rugged zinc diecast or plastic housing
- storage of cables with diameter 5...10 mm
- pre-assembled plugs and set products for simple assembly
- simple mounting of bulkheads through a central screwed gland or four screws
- with bend protection to prevent cables from being excessively bent
- NBR aiguillette at the protection cap
- bay for marking labels