

## WINSTA® MIDI

### Technical Data, 2- to 5-Pole

#### 770 / 771 Series



3

#### Connection Data

Connection technology	Push-in CAGE CLAMP®
Solid conductor	0.5 ... 4 mm <sup>2</sup> / 20 ... 12 AWG
Solid conductor, push-in termination	1.5 ... 4 mm <sup>2</sup> / 16 ... 12 AWG
Stranded conductor	0.5 ... 2.5 mm <sup>2</sup> / 20 ... 14 AWG
Fine-stranded conductor	0.5 ... 4 mm <sup>2</sup> / 20 ... 12 AWG
Fine-stranded conductor with uninsulated ferrule	0.25 ... 2.5 mm <sup>2</sup> / 20 ... 14 AWG
Fine-stranded conductor with insulated ferrule	0.25 ... 1.5 mm <sup>2</sup> / 20 ... 16 AWG
Strip length	9 mm / 0.35 inch (see also packaging or instructions)

#### Electrical Data

Ratings per*	IEC/EN 60664-1
Rated voltage (III / 3)	
2-pole	250 V
3-pole	250 V
4-pole	400 V
5-pole	400 V
Rated surge voltage (III / 3)	
2-pole	4 kV
3-pole	4 kV
4-pole	6 kV
5-pole	6 kV
Rated current	
2-pole	25 A
3-pole	25 A
4-pole	25 A
5-pole	25 A
Approvals per	UL 1977 (factory wiring only)
Rated voltage (UL)	600 V
Rated current (UL)	23 A

Application note for the U.S. market (USR):  
Some versions may also be used for current interruption in accordance with the UL certificate in select applications with currents below 16 A and voltages up to 600 V.  
For further information, please contact your local sales office.

Clearances and creepage distances	≥ 5.5 mm to exposed surfaces
Contact resistance	approx. 1 mΩ contact resistance approx. 0.25 mΩ contact transition socket /plug
Number of potentials	
2-pole	2
3-pole	3
4-pole	4
5-pole	5
Number of connection points	
2-pole	4
3-pole	6
4-pole	8
5-pole	10 (5 for 1-conductor connection)

#### Mechanical Data

Mating cycles	200, without resistive load 100, with resistive load $I_N = 25$ A (4 mm <sup>2</sup> )
Mating forces	20 ... 70 N (depending on pole number)
Unmating forces	20 ... 70 N (depending on pole number) when unlocked
Retention forces	> 80 N (locked)

\* (III / 3) ≙ Overvoltage category III /  
Pollution degree 3

770/771 Series Accessories,  
see page 355

Approvals,  
see [www.wago.com](http://www.wago.com)

Coding overview,  
see page 372

**Mechanical Data (Continued)**

Cable diameter	
2-pole	7 ... 10.5 mm
3-pole	8 ... 11.5 mm Ø
4-pole	9 ... 13 mm
5-pole	9 ... 13 mm
Protection type	IP2xC (with strain relief housing) Note: These compact connectors are not designed for use in open, easily accessible areas.
Processing temperature	-5 ... +40 °C
Continuous operating temperature	-35 ... ≤ +85 °C PVC cable ≤ +70 °C (incl. halogen-free) Insulating parts ≤ +105 °C

**Mismatching Protection**

All WINSTA® components are 100 % protected against mismatching in terms of:

- Plugging a different number of poles
- Plugging when rotated by 180°
- Plugging when laterally staggered
- Plugging one pole

**Locking Levers**

All connectors for mounted installations (snap-in versions for lighting fixtures or devices, all types of PCB and distribution connectors) are factory-equipped with locking levers to ensure plugs and sockets are securely locked. Additional locking levers are only required for "flying leads" (plug/socket).

**Material Data**

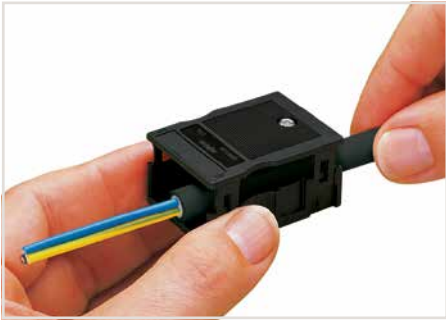
Insulating parts	Polyamide (PA 66), halogen-free
Contacts	Copper or copper alloy, surface-treated
Clamping spring	Stainless steel (Cr-Ni)
Flammability class (per UL 94)	V0

**Standards/Approvals**

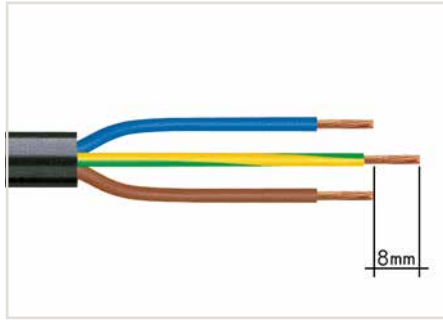
- UL (Depending on end-product standard, it **may** be necessary to use UL-approved cables with an appropriate AWG. These cables are available upon request.)
- CCA certificate
- IEC 61535 (IEC 61984 for Linect®)
- LR
- GL
- DNV
- Cable assemblies approved for marine applications are available upon request.
- Specialty products for use in easily accessible areas are available (see page 148). These products meet IP 2XD protection class.

# WINSTA® MIDI Installation 770 / 771 Series

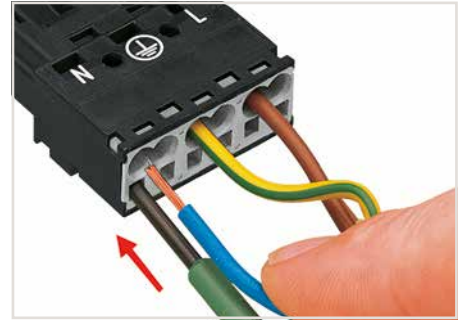
3



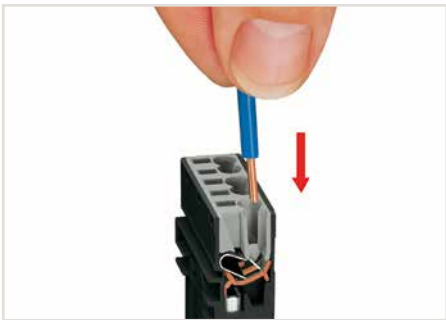
We recommend pulling the pre-latched strain relief housing over the cable prior to termination. However, the strain relief can be mounted at a later time as well.



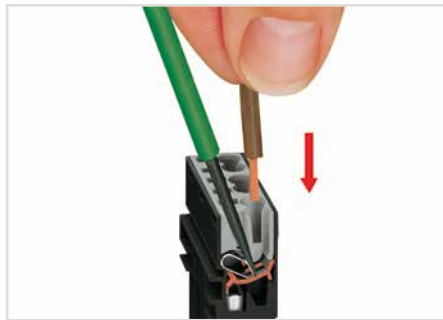
1. Strip length, outer insulation = x mm ❶
2. Strip length = 9 mm
3. Extended ground conductor = 8 mm



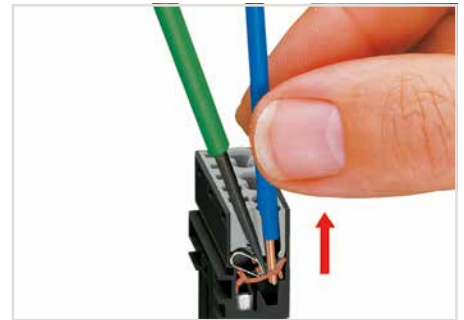
To terminate fine-stranded conductors, open the clamping unit via screwdriver (2.5 mm blade width) and insert a stripped conductor until it hits backstop.



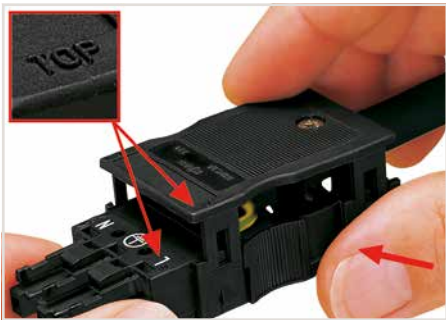
Insert the stripped solid conductor until it hits backstop.



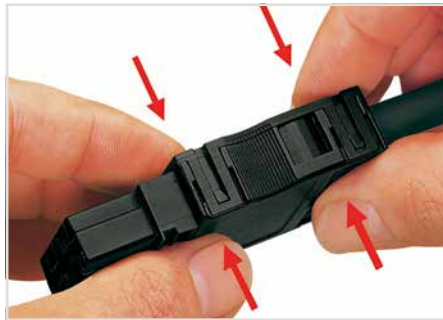
To terminate fine-stranded conductors, open the clamping unit via screwdriver (2.5 mm blade width) and insert a stripped conductor until it hits backstop.



To remove the conductor, actuate the clamp via screwdriver (2.5 mm blade width) and pull out the conductor.



Latch the strain relief housing on the plug/socket. Note the "TOP" inscription.



Prepare strain relief housing by snapping together upper and bottom part.



Tighten strain relief screw via screwdriver (2.5 mm blade width).



Simply cut off the coding pin from the socket.



Insert coding pin into plug (break first) until it engages.



Marking strain relief housing via WSB Quick Marking System.

❶ Strip length, outer insulation: 2-pole = 35 mm, 3- to 5-pole = 55 mm

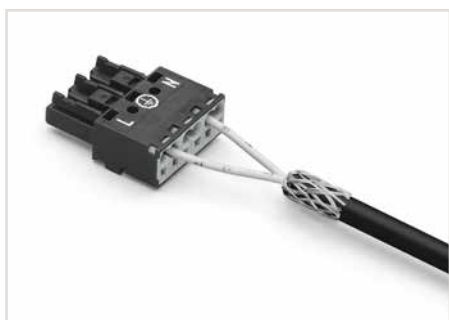


Connector with shield termination

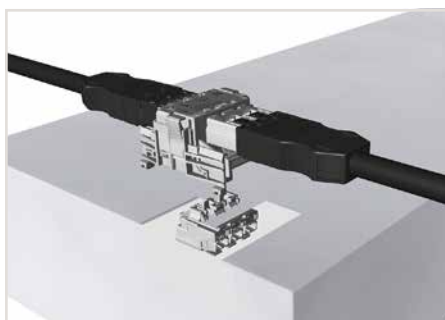


the light connection system

3



Apply the shield to the rubber cable.  
Strip length, outer insulation = 55 mm  
Shield length = 10 mm



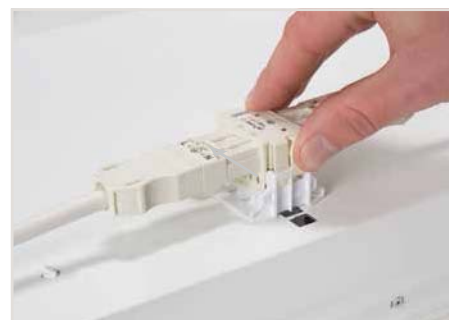
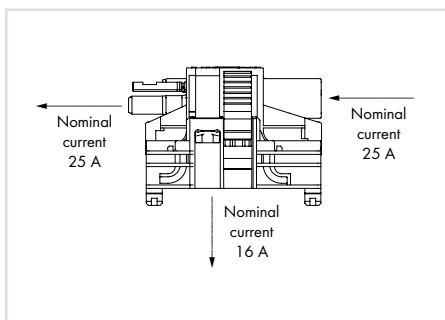
Connecting a T-connector to a 294 Series lighting connector.



Align the T-connector with the square cutouts.



Push the shield connecting plate into the connector until fully inserted.



Move the T-connector toward the square cutouts until it is locked in position.



First insert the wired connector into strain relief housing, then snap cover and tighten screw.



Push down until fully engaged – done!

# WINSTA® MIDI

## Linect® T-Distribution Connectors, 2- and 3-Pole

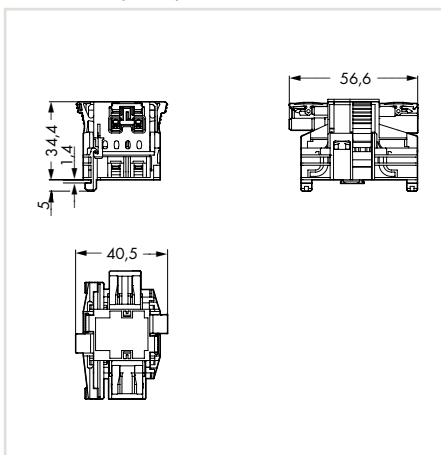
### 770 Series

Rated voltage	250 V
Rated current	25 A (16 A)

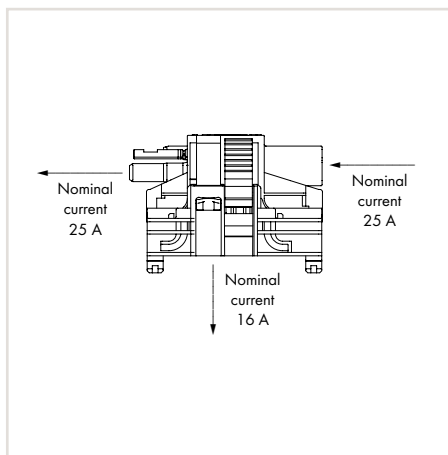
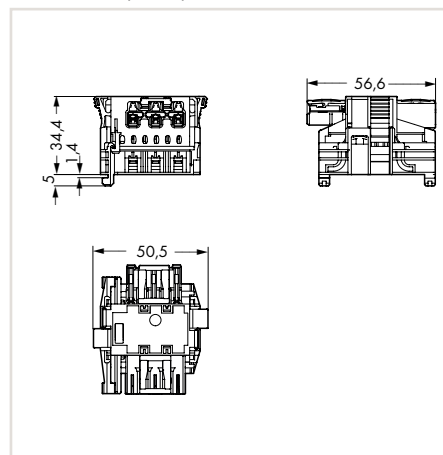
3



Dimensions (in mm):



Dimensions (in mm):



Linect® T-connector, socket – plug, for DALI applications, white housing, blue cover, for lighting connectors 294-8032

Color	Item No.	Pack. Unit
● blue	770-7102	20

Linect® T-connector, socket – plug, white housing, white cover, for lighting connectors 294-8013 and 294-8113

Color	Item No.	Pack. Unit
○ white	770-6223	25

Linect® T-connector, socket – plug, for DALI applications, white housing, dark gray cover, for lighting connectors 294-8022

Color	Item No.	Pack. Unit
● dark gray	770-7502	20

770 Series Accessories, see page 355

Approvals, see www.wago.com

Coding overview, see page 372

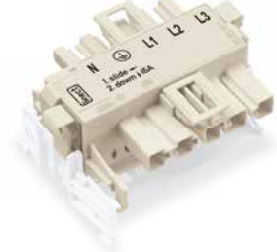
Coding	Marking	Color
A	L ⊕ N	○ white
I	DA+ DA-	● blue
L	L' N'	● dark gray

## WINSTA® MIDI

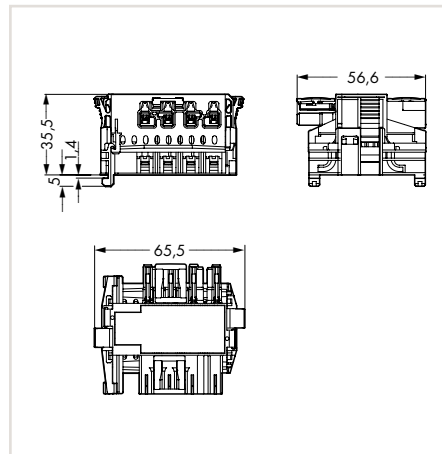
### Linect® T-Distribution Connectors, 4- and 5-Pole

#### 770 Series

Rated voltage	400 V
Rated current	25 A (16 A)



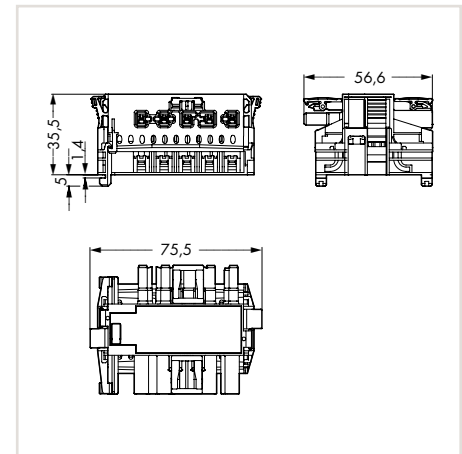
Dimensions (in mm):



Linect® T-connector,  
socket – plug,  
white housing, white cover,  
for lighting connectors  
294-8024 and 294-8124

Color	Item No.	Pack. Unit
○ white	770-6224	25

Dimensions (in mm):



Linect® T-connector,  
socket – plug,  
white housing, white cover,  
for lighting connectors  
294-8015 and 294-8115

Color	Item No.	Pack. Unit
○ white	770-6225	25

Linect® T-connector,  
socket – plug, for DALI applications,  
white housing, blue cover,  
for lighting connectors  
294-8035 and 294-8135

Color	Item No.	Pack. Unit
● blue	770-7105	20

Linect® T-connector,  
socket – plug,  
white housing, dark gray cover  
for lighting connectors  
294-8025 and 294-8125

Color	Item No.	Pack. Unit
● dark gray	770-7505	20

Coding	Marking	Color
A	N ⊕ 2L 1L	○ white
A	N ⊕ L1 L2 L3	○ white
I	N ⊕ L DA+ DA-	● blue
L	N ⊕ L N' L'	● dark gray

# WINSTA® MIDI

## Sockets and Plugs, 2-Pole

### 770 Series

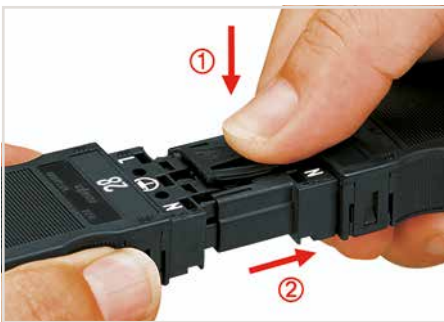


Snap on locking lever – observe direction (picture shows 3-pole plug).

Conductor range, solid and fine-stranded	0.5 ... 4 mm <sup>2</sup> / 20 ... 12 AWG
Conductor range, stranded	0.5 ... 2.5 mm <sup>2</sup> / 20 ... 14 AWG
Rated voltage	250 V
Rated current	25 A
Strip length	9 mm / 0.35 inch



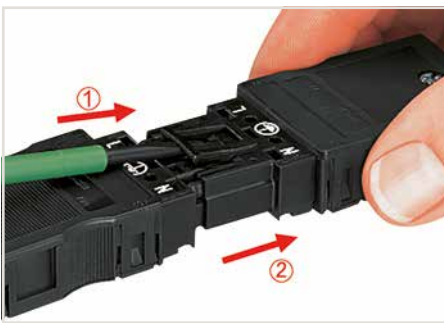
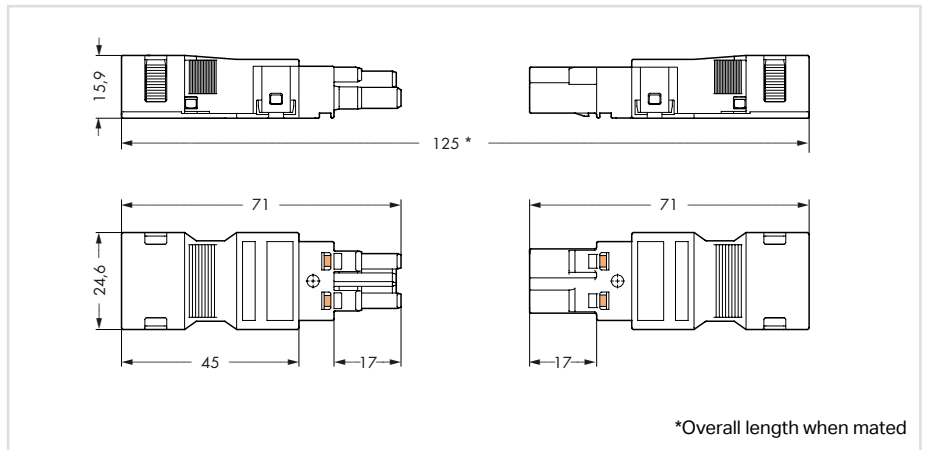
3



Locking lever, manually operated (picture shows 3-pole connectors):

- Push on locking lever
- Pull the connectors apart

Dimensions (in mm):



Locking lever, tool operated (picture shows 3-pole connectors):

- Unlatch locking lever
- Pull the connectors apart

Socket, with strain relief housing, for one cable, 7 ... 10.5 mm cable diameter, 35 mm strip length

Color	Item No.	Pack. Unit
● black	770-102/041-000	25
○ white	770-122/041-000	25

Plug, with strain relief housing, for one cable, 7 ... 10.5 mm cable diameter, 35 mm strip length

Color	Item No.	Pack. Unit
● black	770-112/041-000	25
○ white	770-132/041-000	25

**Note:**

All connectors for fixed installations (snap-in versions for lighting fixtures or devices, all types of PCB and distribution connectors) are factory-equipped with locking levers to ensure plugs and sockets are securely locked. Additional locking levers are only required for "flying leads" (plug/socket).

770 Series Accessories, see page 355

Approvals, see www.wago.com

Coding overview, see page 372

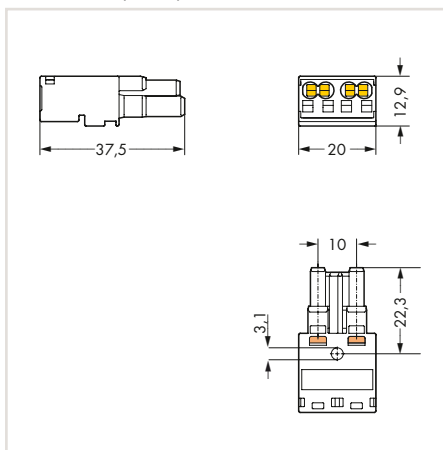
Coding	Marking	Color
A	L N	● black
A	L N	○ white

Conductor range, solid and fine-stranded	0.5 ... 4 mm <sup>2</sup> / 20 ... 12 AWG
Conductor range, stranded	0.5 ... 2.5 mm <sup>2</sup> / 20 ... 14 AWG
Rated voltage	250 V
Rated current	25 A
Strip length	9 mm / 0.35 inch

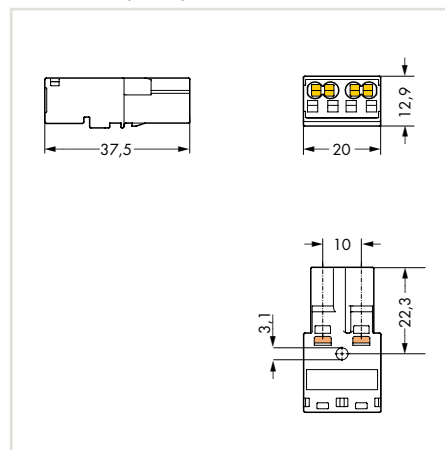


3

Dimensions (in mm):



Dimensions (in mm):


**Socket,  
without strain relief housing**

Color	Item No.	Pack. Unit
● black	770-202	100
○ white	770-222	100
● blue	770-1102	100
● dark gray	770-1162	100

**Plug,  
without strain relief housing**

Color	Item No.	Pack. Unit
● black	770-212	100
○ white	770-232	100
● blue	770-1112	100
● dark gray	770-1172	100

Coding	Marking	Color
A	L N	● black
A	L N	○ white
I	DA+ DA-	● blue
L	L' N'	● dark gray



# WINSTA® MIDI

## Strain Relief Housings for Different Cable Diameters, 2-Pole 770 Series



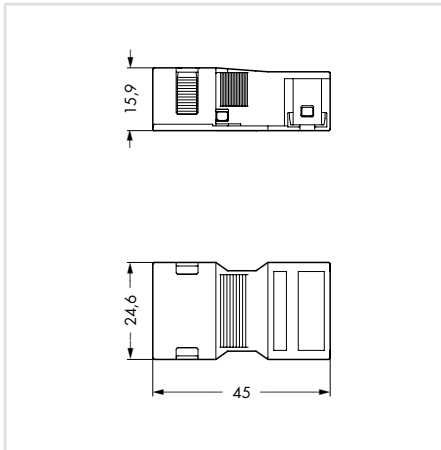
3

Snap-on type strain relief housings for:

- 2-pole sockets
- 2-pole plugs



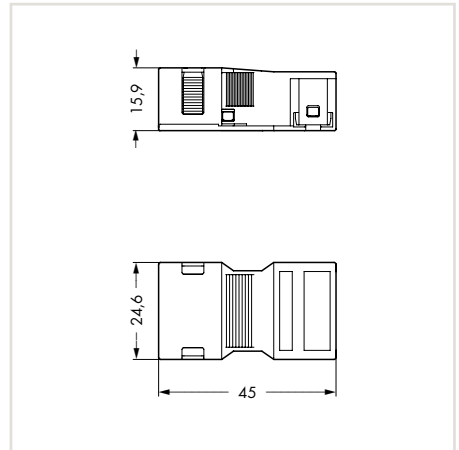
Dimensions (in mm):



Strain relief housing,  
for one cable, 5 ... 9 mm cable diameter,  
35 mm strip length

Color	Item No.	Pack. Unit
black	770-502/042-000	50
white	770-512/042-000	50

Dimensions (in mm):



Strain relief housing,  
for one cable, 7 ... 10.5 mm cable diameter,  
35 mm strip length

Color	Item No.	Pack. Unit
black	770-502/041-000	50
white	770-512/041-000	50

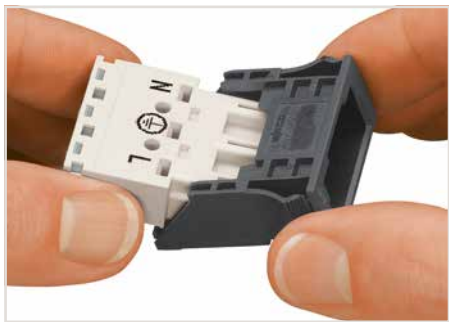
Marking strips,  
see page 369

Approvals,  
see www.wago.com

## WINSTA® MIDI

### Snap-In Frames, 2-Pole

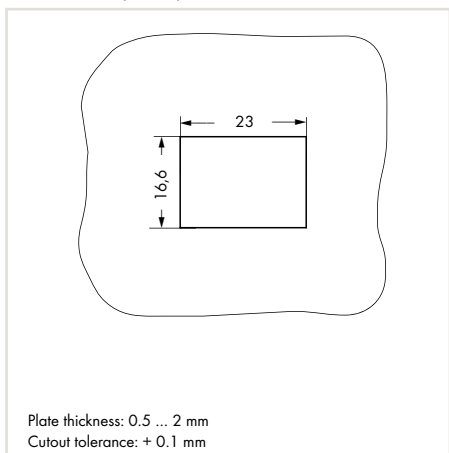
### 770 Series



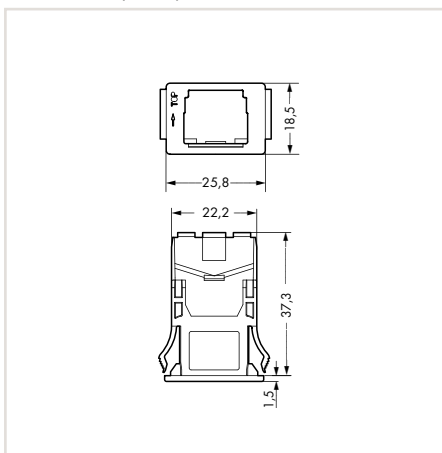
Insert the socket or plug into the frame (observe the "TOP" marking on the frame!), then snap the assembled unit into the cutout (example shows a 3-pole connector).



Dimensions (in mm):



Dimensions (in mm):



Snap-in frame,  
for 2-pole sockets and plugs

Color	Item No.	Pack. Unit
black	770-317	100
white	770-337	100

# WINSTA® MIDI

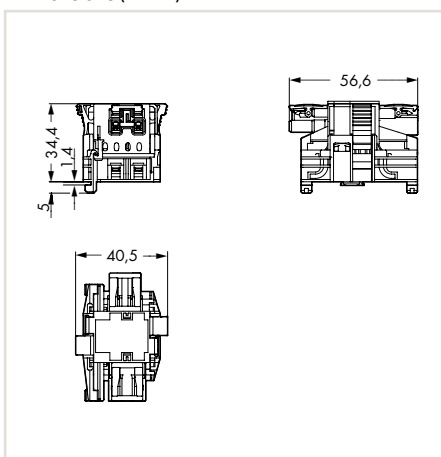
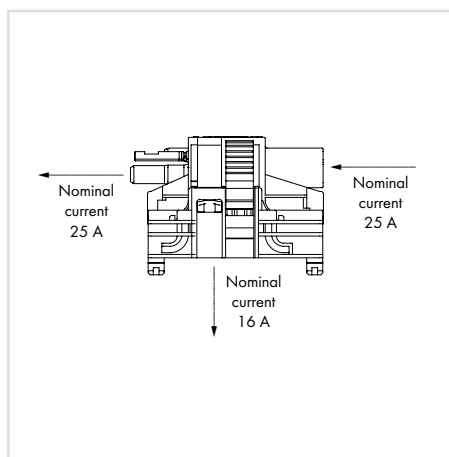
## Linect® T-Distribution Connectors and T-Connectors, 2-Pole 770 Series

Rated voltage	250 V
Rated current	25 A

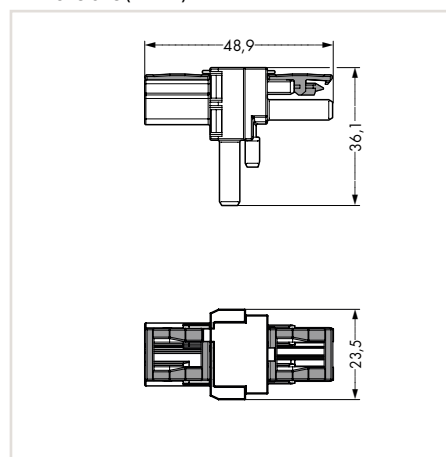
3



Dimensions (in mm):



Dimensions (in mm):



Linect® T-connector, socket – plug, for DALI applications, white housing, blue cover, for lighting connector 294-8032

Color	Item No.	Pack. Unit
● blue	770-7102	20

Linect® T-connector, socket – plug, for DALI applications, white housing, dark gray cover, for lighting connector 294-8022

Color	Item No.	Pack. Unit
● dark gray	770-7502	20

T-distribution connector, 1 x plug/2 x socket

Color	Item No.	Pack. Unit
● black	770-1606	50
○ white	770-1656	50

T-distribution connector, 1 x plug/2 x socket for "flying leads," with 3rd locking lever

Color	Item No.	Pack. Unit
● black	770-1615	50
○ white	770-1665	50

770 Series Accessories, see page 355

Approvals, see www.wago.com

Coding overview, see page 372

Coding	Marking	Color
A	L N	● black
A	L N	○ white
I	DA+ DA-	● blue
L	L' N'	● dark gray

## WINSTA® MIDI

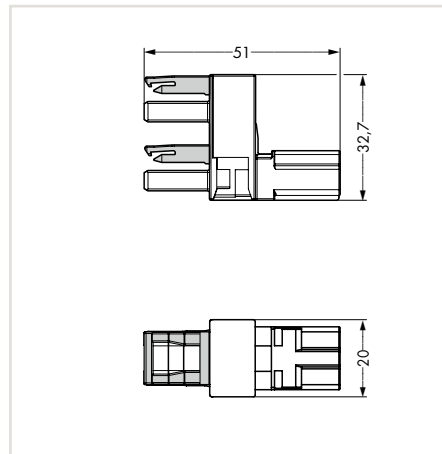
### h-Distribution Connectors, 2-Pole

### 770 Series

Rated voltage	250 V
Rated current	25 A



Dimensions (in mm):



h-distribution connector, unidirectional,  
plug/socket – socket

Color	Item No.	Pack. Unit
● black	770-1634	50
○ white	770-1684	50

h-distribution connector, unidirectional,  
plug/socket – socket,  
for “flying leads,”  
with 3rd locking lever

Color	Item No.	Pack. Unit
● black	770-1636	50
○ white	770-1686	50

Coding	Marking	Color
A	L N	● black
A	L N	○ white

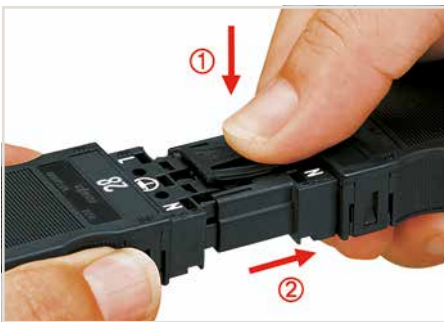
# WINSTA® MIDI

## Sockets and Plugs, 3-Pole 770 Series

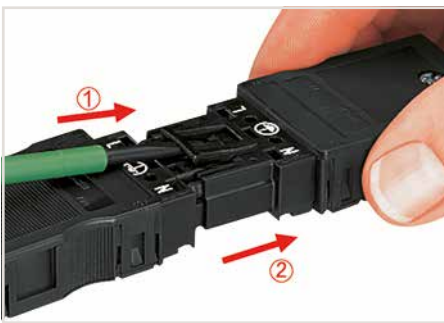


Snap on locking lever. Observe direction!

3

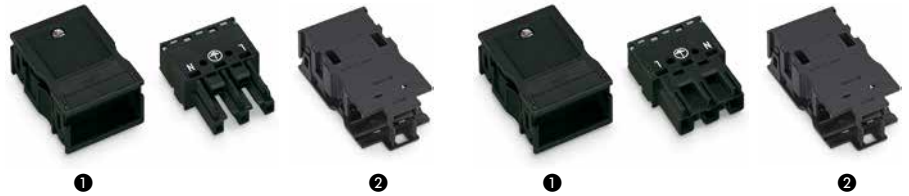


Locking lever, manually operated:  
 • Push on locking lever  
 • Pull the connectors apart

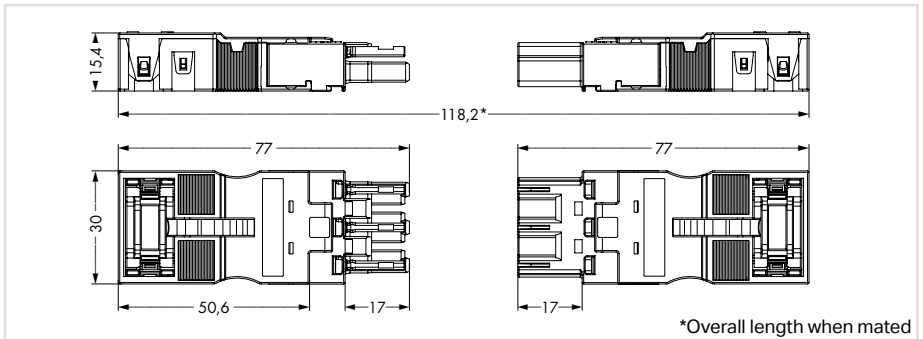
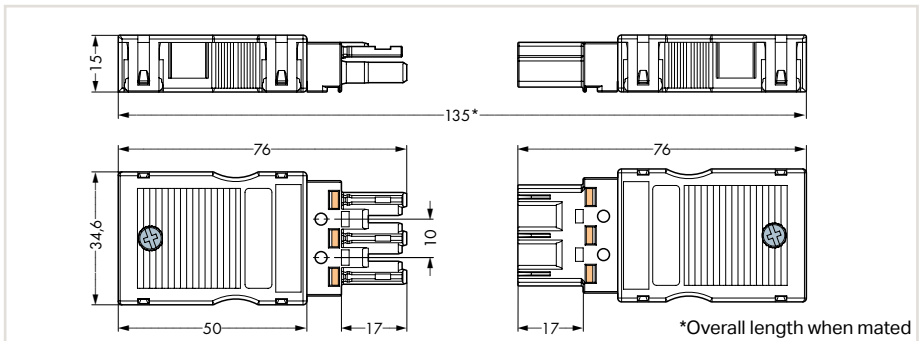


Locking lever, tool operated:  
 • Unlatch locking lever  
 • Pull the connectors apart

Conductor range, solid and fine-stranded	0.5 ... 4 mm <sup>2</sup> / 20 ... 12 AWG
Conductor range, stranded	0.5 ... 2.5 mm <sup>2</sup> / 20 ... 14 AWG
Rated voltage	250 V
Rated current	25 A
Strip length	9 mm / 0.35 inch



Dimensions (in mm):



Socket, with strain relief housing, ①  
 for two cables,  
 8 ... 11.5 mm cable diameter,  
 55 mm strip length

Color	Item No.	Pack. Unit
● black	770-103	25
○ white	770-123	25

Plug, with strain relief housing, ①  
 for two cables,  
 8 ... 11.5 mm cable diameter,  
 55 mm strip length

Color	Item No.	Pack. Unit
● black	770-113	25
○ white	770-133	25

Socket, with strain relief housing, ②  
 for quick assembly, for one cable,  
 7 ... 11.5 mm cable diameter,  
 48 mm strip length

Color	Item No.	Pack. Unit
● black	770-203/035-000	25
○ white	770-223/035-050	25

Plug, with strain relief housing, ②  
 for quick assembly, for one cable,  
 7 ... 11.5 mm cable diameter,  
 48 mm strip length

Color	Item No.	Pack. Unit
● black	770-213/035-000	25
○ white	770-233/035-050	25

**Note:**

All connectors for fixed installations (snap-in versions for lighting fixtures or devices, all types of PCB and distribution connectors) are factory-equipped with locking levers to ensure plugs and sockets are securely locked. Additional locking levers are only required for "flying leads" (plug/socket).

770 Series Accessories, see page 355

Approvals see www.wago.com

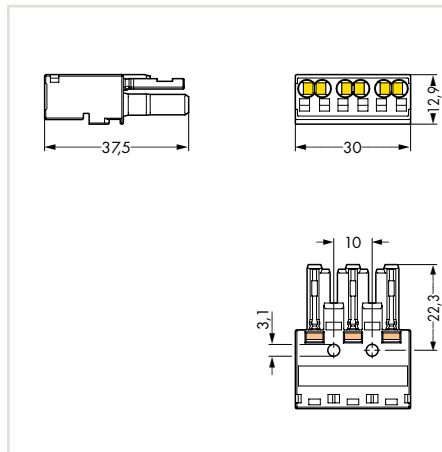
Coding overview, see page 372

Coding	Marking	Color
A	L ⊕ N	● black
A	L ⊕ N	○ white

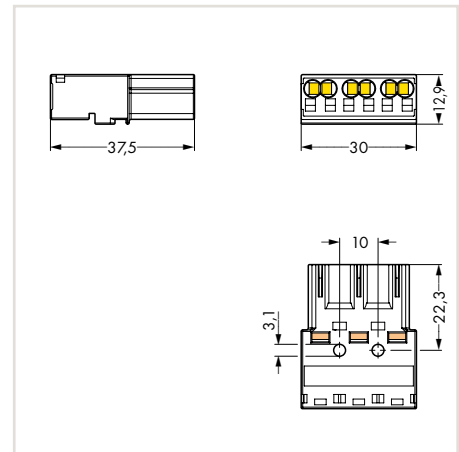
Conductor range, solid and fine-stranded	0.5 ... 4 mm <sup>2</sup> / 20 ... 12 AWG
Conductor range, stranded	0.5 ... 2.5 mm <sup>2</sup> / 20 ... 14 AWG
Rated voltage	250 V
Rated current	25 A
Strip length	9 mm / 0.35 inch



Dimensions (in mm):



Dimensions (in mm):



Socket, without strain relief housing		
Color	Item No.	Pack. Unit
● black	770-203	100
○ white	770-223	100
● red	770-1303	100
● orange	770-1343	100
● brown	770-1363	100

Plug, without strain relief housing		
Color	Item No.	Pack. Unit
● black	770-213	50
○ white	770-233	50
● red	770-1313	100
● orange	770-1353	100
● brown	770-1373	100

Coding	Marking	Color
A	L ⊕ N	● black
A	L ⊕ N	○ white
P	L ⊕ N	● red
R	LON LON S	● orange
S	1 2 L	● brown

3

# WINSTA® MIDI

## Strain Relief Housings for Different Cable Diameters, 3-Pole 770 Series



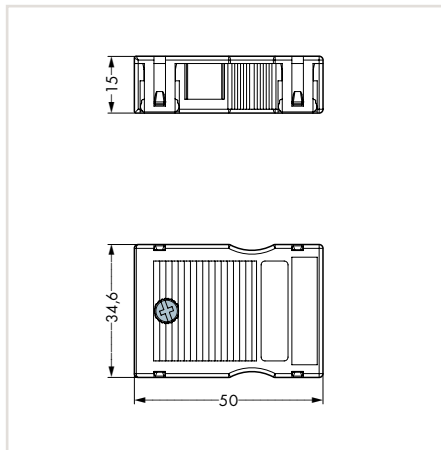
3

Snap-on type strain relief housings for:

- 3-pole sockets
- 3-pole plugs



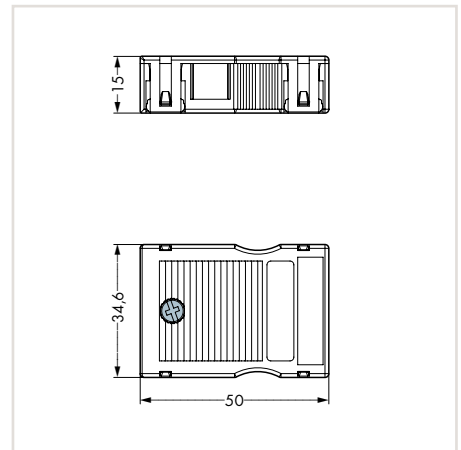
Dimensions (in mm):



Strain relief housing,  
for two cables,  
for 4.5 ... 8 mm cable diameter,  
55 mm strip length

Color	Item No.	Pack. Unit
black	770-503/023-000	50
white	770-513/023-000	50

Dimensions (in mm):



Strain relief housing,  
for two cables,  
for 8 ... 11.5 mm cable diameter,  
55 mm strip length

Color	Item No.	Pack. Unit
black	770-503	50
white	770-513	50

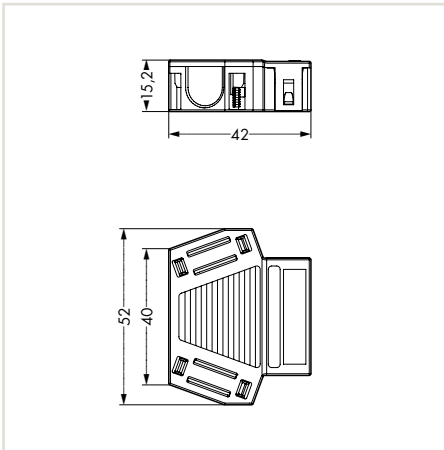
All strain relief housings are suitable for H05VV and NYM cables.  
Other cables are available upon request.

Marking strips,  
see page 369

Approvals,  
see www.wago.com



Dimensions (in mm):

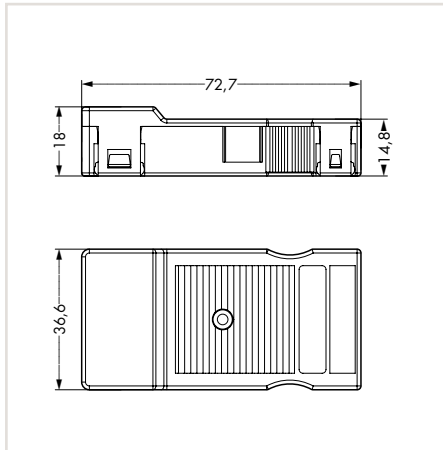


Strain relief housing, angled, for two cables, for 8 ... 11.5 mm cable diameter, 55 mm strip length

Color	Item No.	Pack. Unit
black	770-503/032-000	25
white	770-513/032-000	25



Dimensions (in mm):

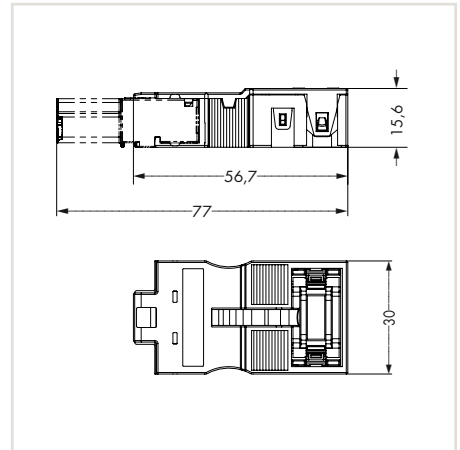


Strain relief housing, for 4 mm<sup>2</sup> cables, for 1 cable, 9 ... 13 mm cable diameter, 71 mm strip length

Color	Item No.	Pack. Unit
black	770-503/021-000	50
white	770-513/021-000	50



Dimensions (in mm):



Strain relief housing, for quick assembly, for one cable, 7 ... 11.5 mm cable diameter, 48 mm strip length

Color	Item No.	Pack. Unit
black	770-503/035-000	50
white	770-513/035-000	50



# WINSTA® MIDI

## Snap-In Sockets and Plugs, 3-Pole

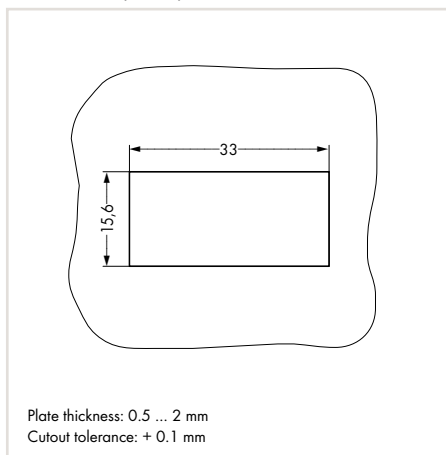
### 770 Series

3

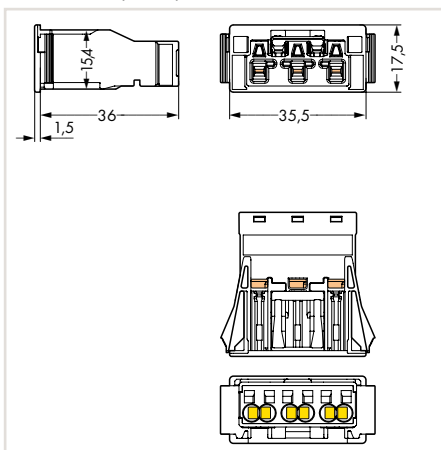
Conductor range, solid and fine-stranded	0.5 ... 4 mm <sup>2</sup> / 20 ... 12 AWG
Conductor range, stranded	0.5 ... 2.5 mm <sup>2</sup> / 20 ... 14 AWG
Rated voltage	250 V
Rated current	25 A
Strip length	9 mm / 0.35 inch



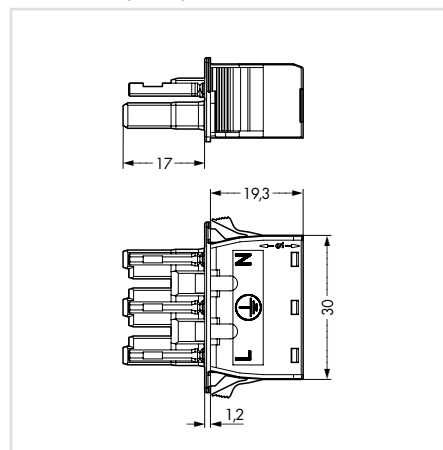
Dimensions (in mm):



Dimensions (in mm):



Dimensions (in mm):



Socket		
Color	Item No.	Pack. Unit
● black	770-703	100
○ white	770-723	100
● red	770-2303	100
● orange	770-2343	100
● brown	770-2363	100

Socket, with protruding interface		
Color	Item No.	Pack. Unit
● black	770-703/009-000	45
○ white	770-723/009-000	45

- 770 Series Accessories, see page 355
- Approvals, see www.wago.com
- Coding overview, see page 372

Coding	Marking	Color
A	L ⊕ N	● black
A	L ⊕ N	○ white
P	L ⊕ N	● red
R	LON LON S	● orange
S	1 2 L	● brown



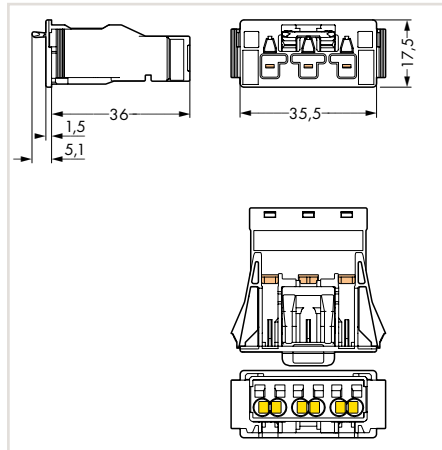
Varnish-piercing direct ground contact (pictures shows a 4-pole connector)

Conductor range, solid and fine-stranded	0.5 ... 4 mm <sup>2</sup> / 20 ... 12 AWG
Conductor range, stranded	0.5 ... 2.5 mm <sup>2</sup> / 20 ... 14 AWG
Rated voltage	250 V
Rated current	25 A
Strip length	9 mm / 0.35 inch

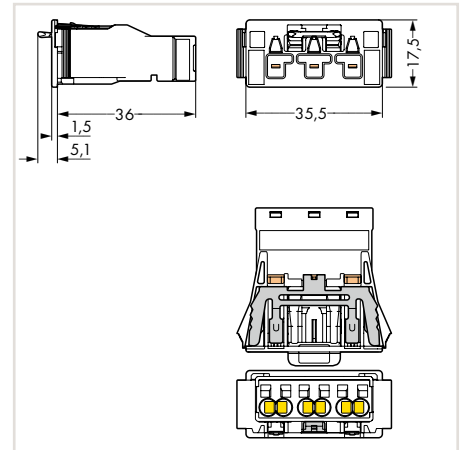


3

Dimensions (in mm):



Dimensions (in mm):



Plugs		
Color	Item No.	Pack. Unit
● black	770-713	100
○ white	770-733	100
● red	770-2313	100
● orange	770-2353	100

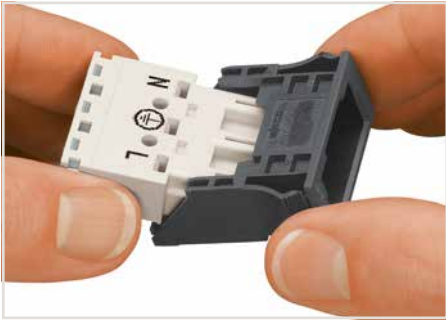
Plug, with direct ground contact		
Color	Item No.	Pack. Unit
● black	770-713/007-000	100
○ white	770-733/007-000	100
● red	770-2313/007-000	100

Coding	Marking	Color
A	L ⊕ N	● black
A	L ⊕ N	○ white
P	L ⊕ N	● red
R	LON LON S	● orange

## WINSTA® MIDI

### Snap-In Frames, 3-Pole

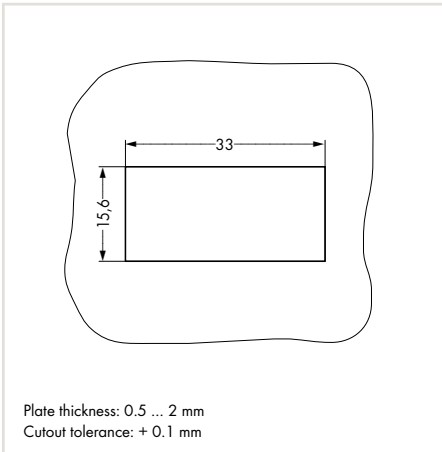
#### 770 Series



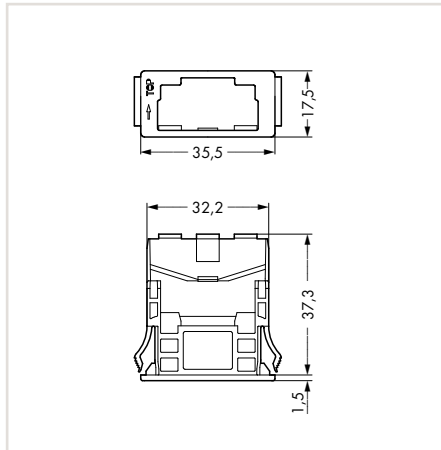
3 Insert the socket or plug into the frame (observe the "TOP" marking on the frame!), then snap the assembled unit into the cutout.



Dimensions (in mm):





Dimensions (in mm):



Snap-in frame,  
for 1 ... 3 mm plate thickness

Color	Item No.	Pack. Unit
black	770-318	100
white	770-338	100

 770 Series Accessories,  
see page 355

 Approvals,  
see [www.wago.com](http://www.wago.com)



# WINSTA® MIDI

## Plugs with Ground Contact, 3-Pole

### 770 Series

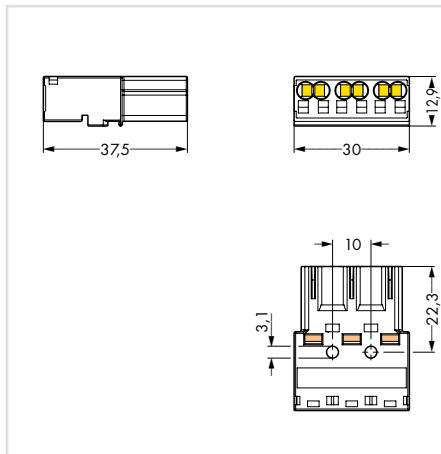


Plug with ground contact mounted on luminaire (picture shows a 3-pole plug).

Conductor range, solid and fine-stranded	0.5 ... 4 mm <sup>2</sup> / 20 ... 12 AWG
Conductor range, stranded	0.5 ... 2.5 mm <sup>2</sup> / 20 ... 14 AWG
Rated voltage	250 V
Rated current	25 A
Strip length	9 mm / 0.35 inch



Dimensions (in mm):



Plug, with direct ground contact, without strain relief housing, e.g., for assembly on luminaire casings

Color	Item No.	Pack. Unit
● black	770-213/002-000	25
○ white	770-233/002-000	25

770 Series Accessories, see page 355

Approvals, see www.wago.com

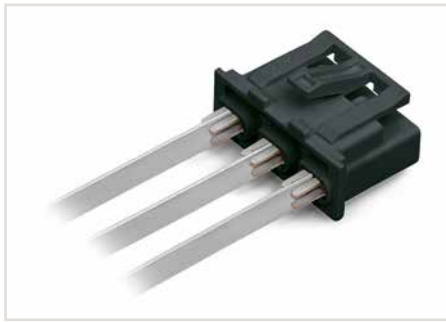
Coding overview, see page 372

Coding	Marking	Color
A	L ⊕ N	● black
A	L ⊕ N	○ white

# WINSTA® MIDI

## Device Connectors, 3-Pole

### 770 Series

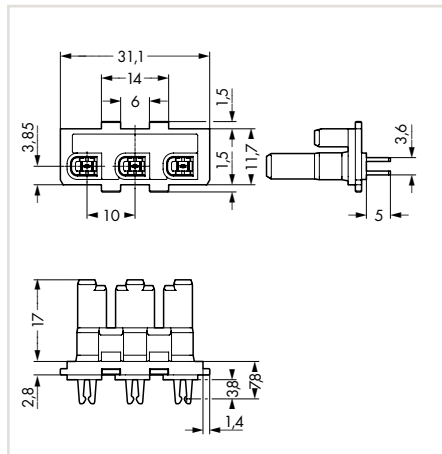


Device connectors can be cost-effectively installed in appropriate guide slots of a housing. Internal electrical connection is performed by contacting the 0.8 mm thick current bars.

Rated voltage	250 V
Rated current	25 A



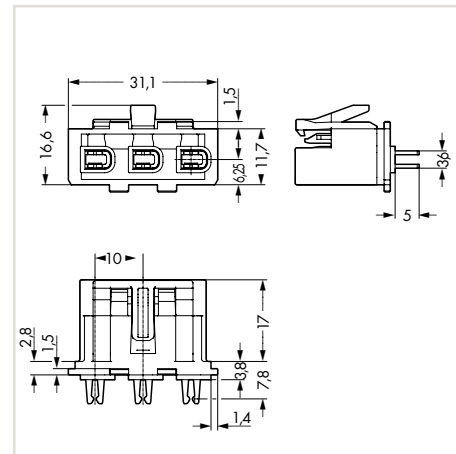
Dimensions (in mm):



Socket module

Color	Item No.	Pack. Unit
● black	770-408	100
○ white	770-428	100

Dimensions (in mm):



Plug module, with locking lever

Color	Item No.	Pack. Unit
● black	770-418	100
○ white	770-438	100

Coding	Marking	Color
A	L ⊕ N	● black
A	L ⊕ N	○ white

3

# WINSTA® MIDI

## Pluggable PCB Connectors, 3-Pole

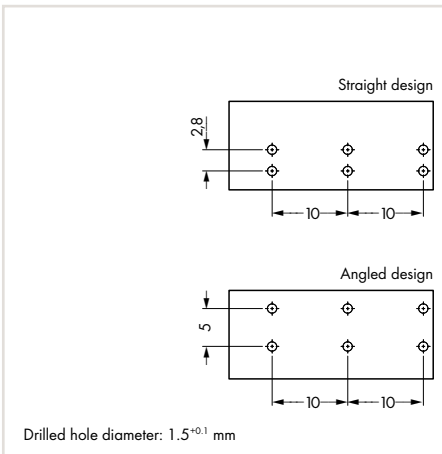
### 770 Series

3

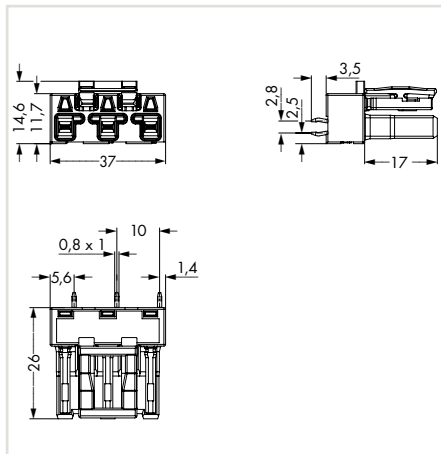
Rated voltage	250 V
Rated current	25 A



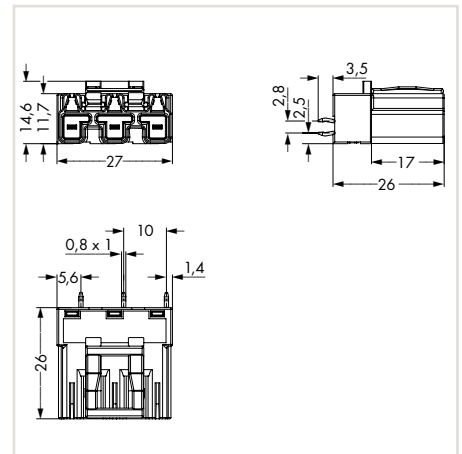
Dimensions (in mm):



Dimensions (in mm):



Dimensions (in mm):



Socket, straight		
Color	Item No.	Pack. Unit
● black	770-803	100
○ white	770-823	100

Plug, straight		
Color	Item No.	Pack. Unit
● black	770-813	100
○ white	770-833	100

770 Series Accessories, see page 355

Approvals, see www.wago.com

Coding overview, see page 372

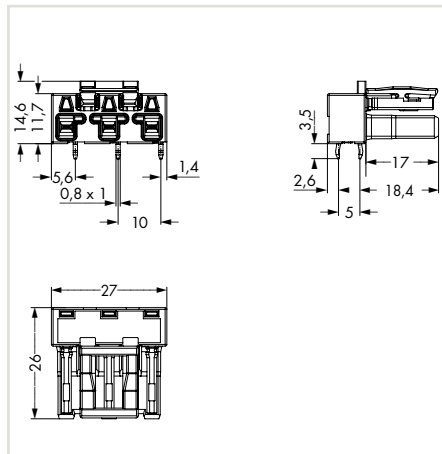
Coding	Marking	Color
A	L ⊕ N	● black
A	L ⊕ N	○ white

Rated voltage	250 V
Rated current	25 A

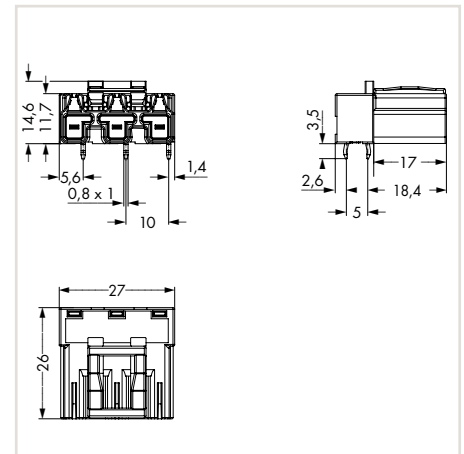


3

Dimensions (in mm):



Dimensions (in mm):



Socket, angled		
Color	Item No.	Pack. Unit
● black	770-803/011-000	100
○ white	770-823/011-000	100

Plug, angled		
Color	Item No.	Pack. Unit
● black	770-813/011-000	100
○ white	770-833/011-000	100

Coding	Marking	Color
A	L ⊕ N	● black
A	L ⊕ N	○ white



# WINSTA® MIDI

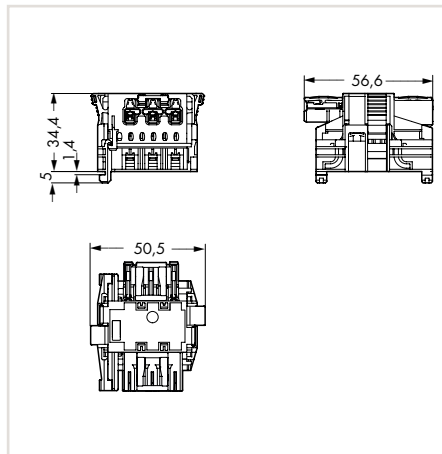
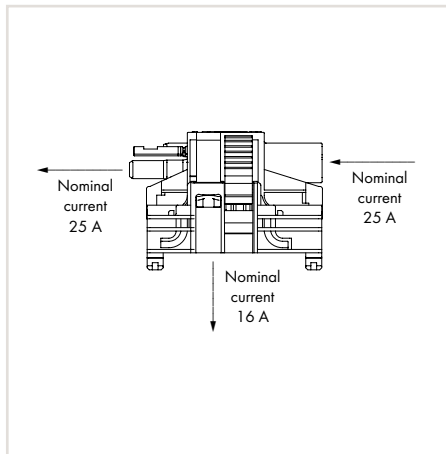
## Linect® T-Distribution Connectors and T-Connectors, 3-Pole 770 Series

Rated voltage	250 V
Rated current	25 A

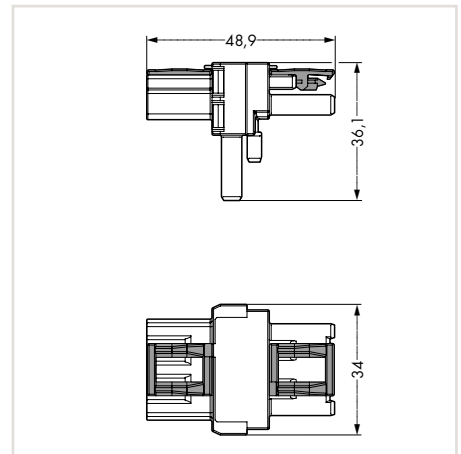
3



Dimensions (in mm):



Dimensions (in mm):



Linect® T-connector, socket – plug, white housing, white cover, for lighting connectors 294-8013 and 294-8113

Color	Item No.	Pack. Unit
○ white	770-6223	25

T-distribution connector, 1 x plug/2 x socket

Color	Item No.	Pack. Unit
● black	770-606	50
○ white	770-656	50
● orange	770-667	50

T-distribution connector, 1 x plug/2 x socket, for "flying leads," with 3rd locking lever

Color	Item No.	Pack. Unit
● black	770-615	50
○ white	770-665	50
● orange	770-670	50

770 Series Accessories, see page 355

Approvals, see www.wago.com

Coding overview, see page 372

Coding	Marking	Color
A	L ⊕ N	● black
A	L ⊕ N	○ white
R	LON LON S	● orange

## WINSTA® MIDI

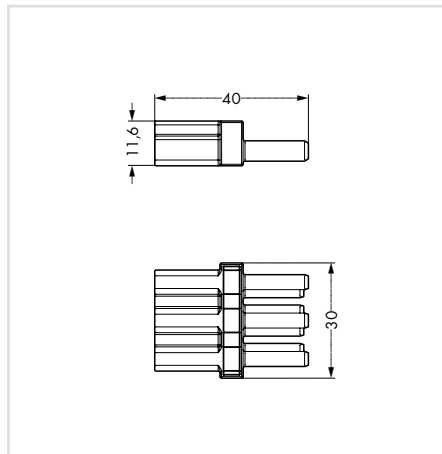
### Intermediate Couplers, 3-Pole

### 770 Series

Rated voltage	250 V
Rated current	25 A



Dimensions (in mm):



Intermediate coupler ,  
1 x plug/1 x socket

Color	Item No.	Pack. Unit
● black	770-603	100
○ white	770-653	100

Coding	Marking	Color
A	-	● black
A	-	○ white

# WINSTA® MIDI

## h-Distribution Connectors, 3-Pole

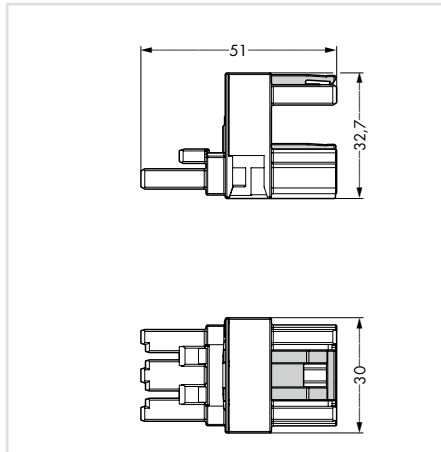
### 770 Series

Rated voltage	250 V
Rated current	25 A

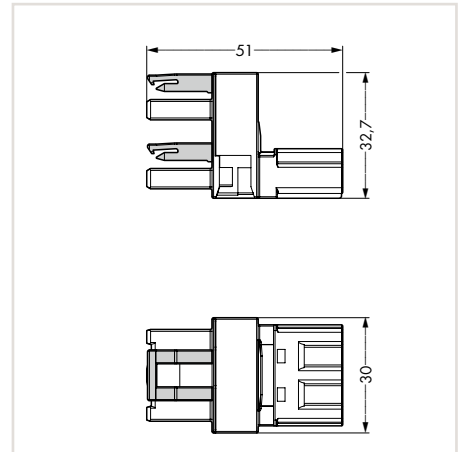
3



Dimensions (in mm):



Dimensions (in mm):



h-distribution connector, bi-directional, plug – socket/socket

Color	Item No.	Pack. Unit
● black	770-633	50
○ white	770-683	50

h-distribution connector, unidirectional, plug/socket – socket

Color	Item No.	Pack. Unit
● black	770-634	50
○ white	770-684	50
● red	770-934	50

h-distribution connector, bi-directional, plug – socket/socket, for "flying leads," with 3rd locking lever

Color	Item No.	Pack. Unit
● black	770-635	50
○ white	770-685	50

h-distribution connector, unidirectional, plug/socket – socket, for "flying leads," with 3rd locking lever

Color	Item No.	Pack. Unit
● black	770-636	50
○ white	770-686	50
● red	770-936	50

770 Series Accessories, see page 355

Approvals, see www.wago.com

Coding overview, see page 372

Coding	Marking	Color
A	L ⊕ N	● black
A	L ⊕ N	○ white
P	L ⊕ N	● red

## WINSTA® MIDI

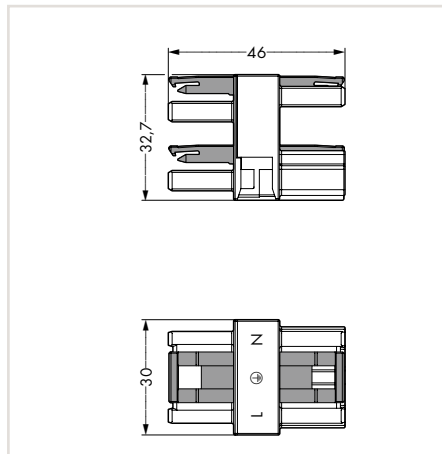
### Distribution Connectors, 3-Pole

### 770 Series

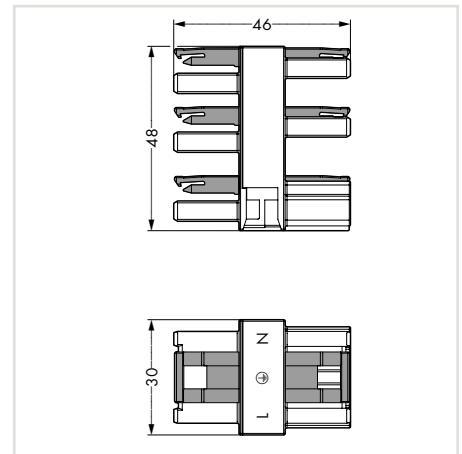
Rated voltage	250 V
Rated current	25 A



Dimensions (in mm):



Dimensions (in mm):



Distribution connector, 3-way,  
1 x plug/3 x socket

Color	Item No.	Pack. Unit
● black	770-607	50
○ white	770-657	50
● red	770-907	50

Distribution connector, 5-way,  
1 x plug/5 x socket

Color	Item No.	Pack. Unit
● black	770-608	50
○ white	770-658	50

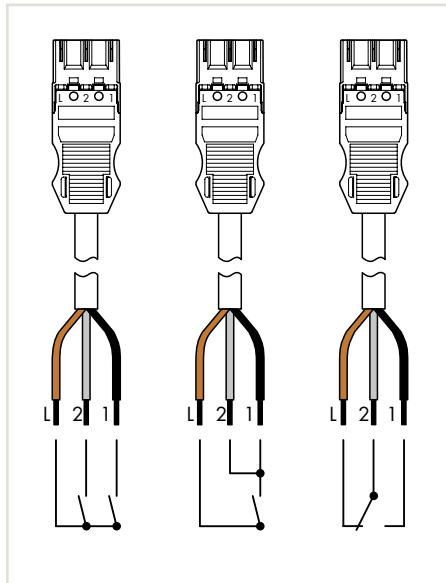
Coding	Marking	Color
A	L ⊕ N	● black
A	L ⊕ N	○ white
P	L ⊕ N	● red

# WINSTA® MIDI

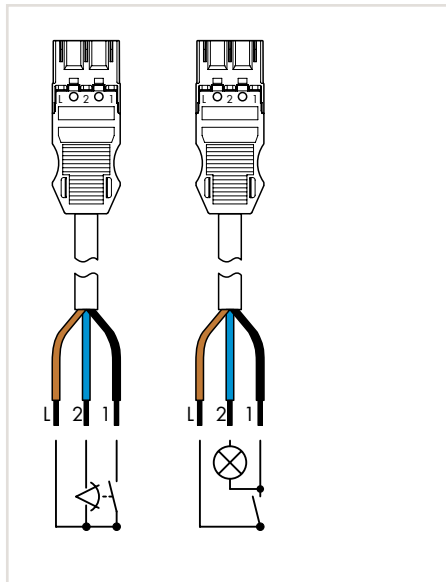
## Distribution Connectors, 3-Pole

### 770 Series

3



Cable assembly with S-coding for connection to 770-637 and 770-638 Distribution Connectors.

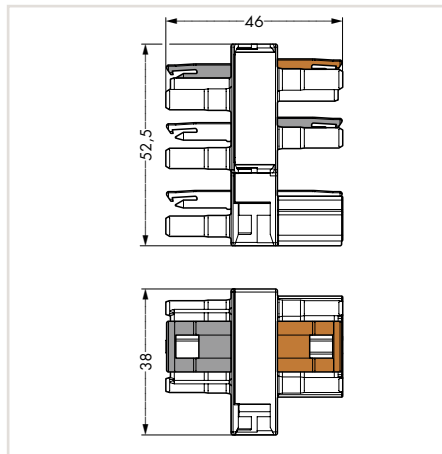


Cable assembly with S-coding for connection to 770-637 Distribution Connector when using 770-113/147-000 Shorting Plug.

Rated voltage	250 V
Rated current	25 A



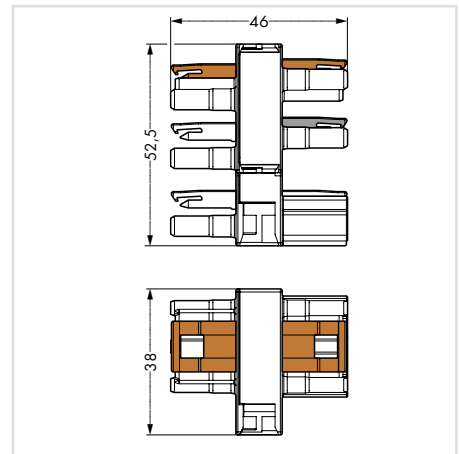
Dimensions (in mm):



Distribution connector for single-pole switch and series circuits,  
 1 x plug, A-coding, black/white LL,  
 2 x socket, A-coding, black/white LL,  
 2 x socket, A-coding (lighting fixtures), black/white LL,  
 1 x socket, S-coding (switch), brown LL

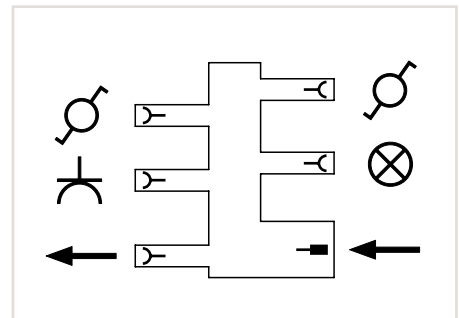
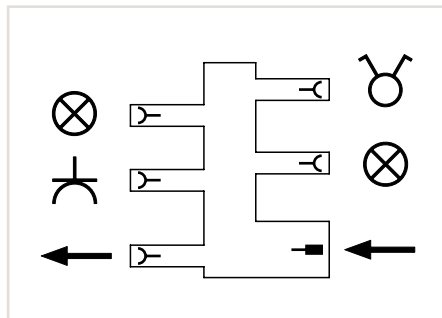
Color	Item No.	Pack. Unit
● black	770-637	10
○ white	770-687	10

Dimensions (in mm):



Distribution connector for single-pole switch and two-way circuits,  
 1 x plug, A-coding, black/white LL,  
 2 x socket, A-coding, black/white LL,  
 1 x socket, A-coding (lighting fixtures), black/white LL,  
 2 x socket, S-coding (switch), brown LL

Color	Item No.	Pack. Unit
● black	770-638	10
○ white	770-688	10



LL = Locking lever

770 Series Accessories, see page 355

Approvals, see www.wago.com

Coding overview, see page 372

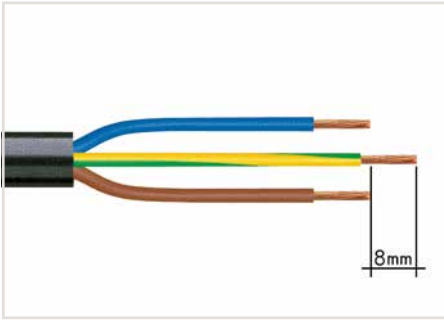
Coding	Marking	Color
A	L ⊕ N	● black
A	L ⊕ N	○ white
S	1 2 L	● brown

## WINSTA® MIDI

### IP 2XD, for Easily Accessible Areas

#### 770 Series

3



1. Strip length, outer insulation = 48 mm
2. Strip length = 9 mm
3. Extended ground conductor = 8 mm



To terminate fine-stranded conductors, open the clamping unit via screwdriver (2.5 mm blade width) and insert a stripped conductor until it hits backstop. Terminate solid conductors by simply pushing them in.



Latch wired connector onto the base of the strain relief housing.



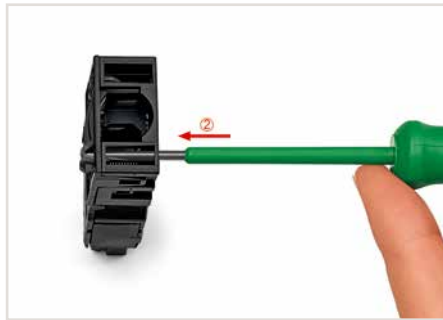
Assembly: Prepare strain relief housing by snapping together upper and bottom part.



Push down strain relief clamp via 2.5 mm screwdriver alternately on both sides.



Disassembly: First, unlock strain relief clamp via screwdriver (2.5 mm blade width) from the bottom.



Then, push strain relief clamp via screwdriver out of the locking position.



Finally, unlock strain relief housing via screwdriver on both sides.

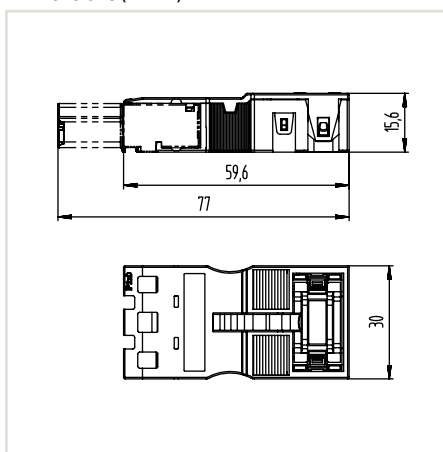
## WINSTA® MIDI

### IP 2XD, Strain Relief Housings, 3-Pole

### 770 Series





Dimensions (in mm):




Strain relief housing, for one cable,  
7 ... 11.5 mm cable diameter,  
48 mm strip length

Color	Item No.	Pack. Unit
black	770-503/038-000	100
white	770-513/038-000	100

 770 Series Accessories,  
see page 355

 Approvals,  
see [www.wago.com](http://www.wago.com)

 Coding overview,  
see page 372

# WINSTA® MIDI

## Sockets and Plugs, 4-Pole 770 Series

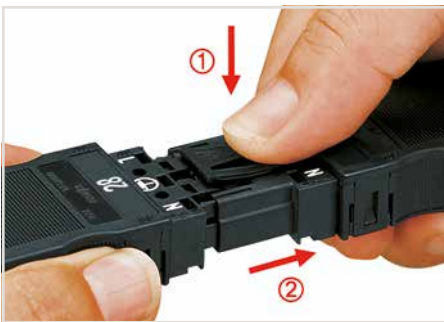


Snap on locking lever – observe direction (picture shows 3-pole plug).

Conductor range, solid and fine-stranded	0.5 ... 4 mm <sup>2</sup> / 20 ... 12 AWG
Conductor range, stranded	0.5 ... 2.5 mm <sup>2</sup> / 20 ... 14 AWG
Rated voltage	400 V
Rated current	25 A
Strip length	9 mm / 0.35 inch



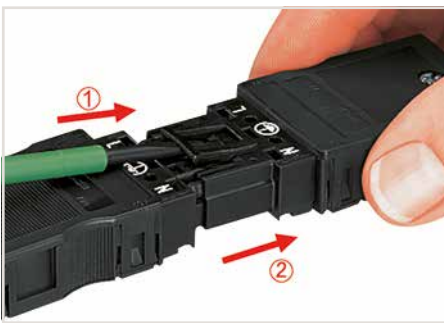
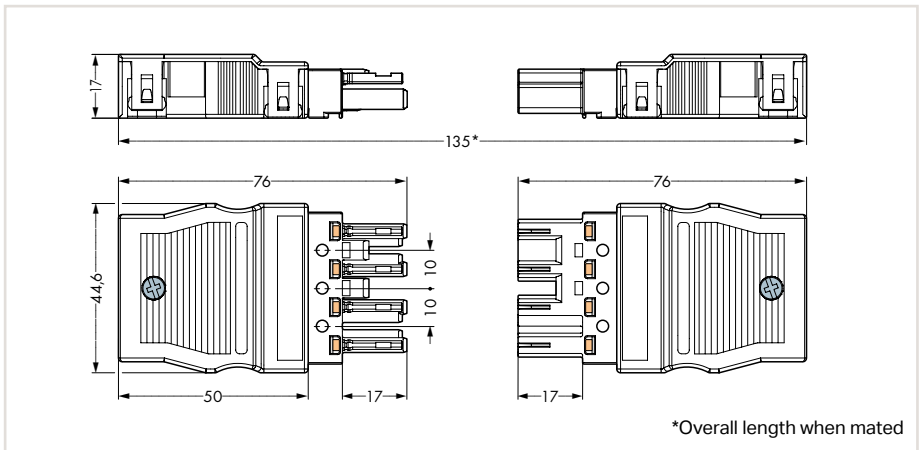
3



Locking lever, manually operated (picture shows 3-pole connectors):

- Push on locking lever
- Pull the connectors apart

Dimensions (in mm):



Locking lever, tool operated (picture shows 3-pole connectors):

- Unlatch locking lever
- Pull the connectors apart

Socket, with strain relief housing, for two cables, 9 ... 13 mm cable diameter, 55 mm strip length

Color	Item No.	Pack. Unit
● black	770-104	25
○ white	770-124	25

Plug, with strain relief housing, for two cables, 9 ... 13 mm cable diameter, 55 mm strip length

Color	Item No.	Pack. Unit
● black	770-114	25
○ white	770-134	25

**Note:**

All connectors for fixed installations (snap-in versions for lighting fixtures or devices, all types of PCB and distribution connectors) are factory-equipped with locking levers to ensure plugs and sockets are securely locked. Additional locking levers are only required for "flying leads" (plug/socket).

770 Series Accessories, see page 355

Approvals, see www.wago.com

Coding overview, see page 372

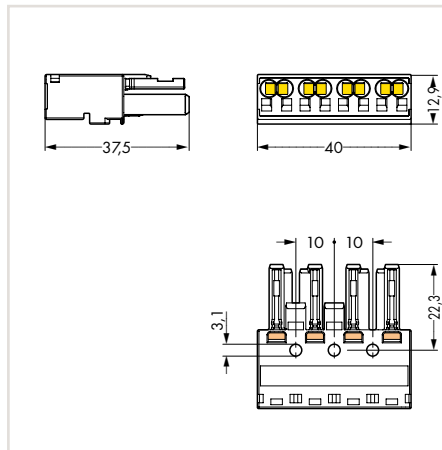
Coding	Marking	Color
A	N Ⓢ 2L 1L	● black
A	N Ⓢ 1L 1L	○ white



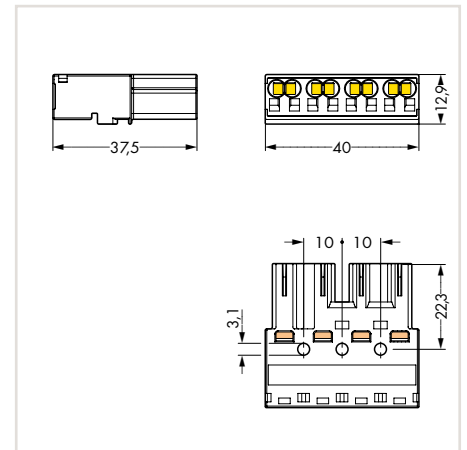
Conductor range, solid and fine-stranded	0.5 ... 4 mm <sup>2</sup> / 20 ... 12 AWG
Conductor range, stranded	0.5 ... 2.5 mm <sup>2</sup> / 20 ... 14 AWG
Rated voltage	400 V
Rated current	25 A (32 A)
Strip length	9 mm / 0.35 inch



Dimensions (in mm):



Dimensions (in mm):


**Socket,  
without strain relief housing**

Color	Item No.	Pack. Unit
● black	770-204	50
○ white	770-224	50

**Plug,  
without strain relief housing**

Color	Item No.	Pack. Unit
● black	770-214	50
○ white	770-234	50

**Socket,  
without strain relief housing,  
for "Clean Earth" applications (rated up to 32 A)**

Color	Item No.	Pack. Unit
● green	770-1324	50

**Plug,  
without strain relief housing,  
for "Clean Earth" applications (rated up to 32 A)**

Color	Item No.	Pack. Unit
● green	770-1334	50

Coding	Marking	Color
A	N Ⓞ 2L 1L	● black
A	N Ⓞ 2L 1L	○ white
Q	N PE1 PE2 L	● green

# WINSTA® MIDI

## Strain Relief Housings for Different Cable Diameters, 4-Pole 770 Series



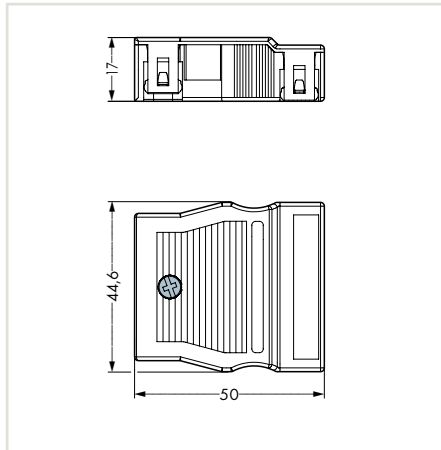
3

Snap-on type strain relief housings for:

- 4-pole sockets
- 4-pole plugs



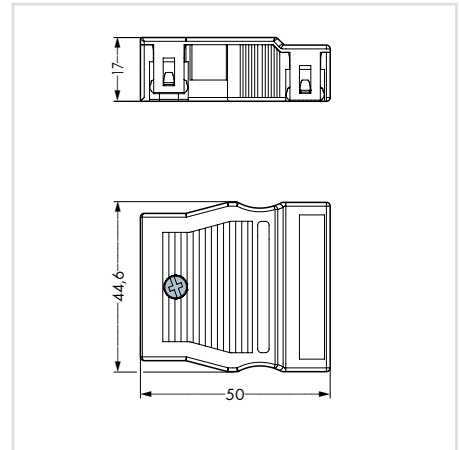
Dimensions (in mm):



Strain relief housing,  
for two cables,  
for 5 ... 9 mm cable diameter,  
55 mm strip length

Color	Item No.	Pack. Unit
black	770-504/023-000	50
white	770-514/023-000	50

Dimensions (in mm):



Strain relief housing,  
for two cables,  
for 9 ... 13 mm cable diameter,  
55 mm strip length

Color	Item No.	Pack. Unit
black	770-504	50
white	770-514	50

All strain relief housings are suitable for H05VV and NYM cables.  
Other cables are available upon request.

Marking strips,  
see page 369

Approvals,  
see www.wago.com

## WINSTA® MIDI

### Snap-In Frames, 4-Pole

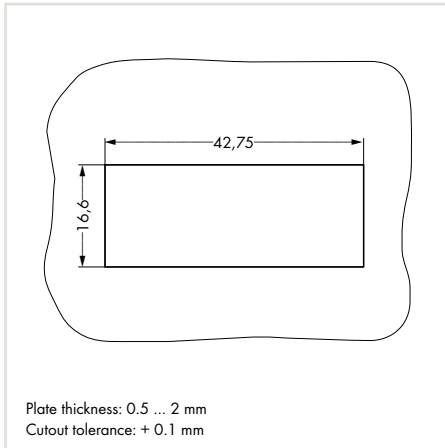
### 770 Series



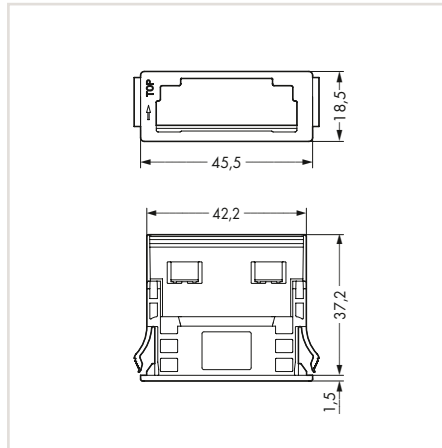
Insert the socket or plug into the frame (observe the "TOP" marking on the frame!), then snap the assembled unit into the cutout (example shows a 3-pole connector).



Dimensions (in mm):



Dimensions (in mm):



Snap-in frame,  
for 4-pole sockets and plugs

Color	Item No.	Pack. Unit
black	770-319	100
white	770-339	100

# WINSTA® MIDI

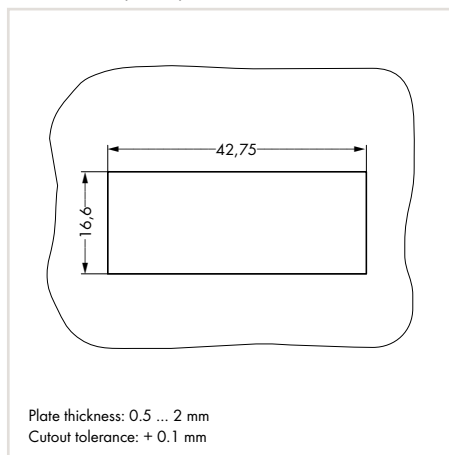
## Snap-In Sockets and Plugs, 4-Pole

### 770 Series

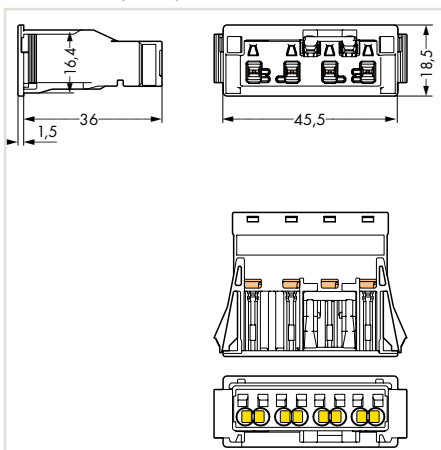
Conductor range, solid and fine-stranded	0.5 ... 4 mm <sup>2</sup> / 20 ... 12 AWG
Conductor range, stranded	0.5 ... 2.5 mm <sup>2</sup> / 20 ... 14 AWG
Rated voltage	400 V
Rated current	25 A (32 A)
Strip length	9 mm / 0.35 inch



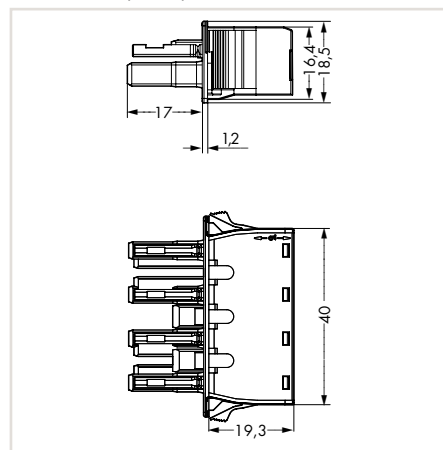
Dimensions (in mm):



Dimensions (in mm):



Dimensions (in mm):



Socket		
Color	Item No.	Pack. Unit
● black	770-704	100
○ white	770-724	100

Socket for "Clean Earth" applications (rated up to 32 A)		
Color	Item No.	Pack. Unit
● green	770-2324	100

Socket, with protruding interface		
Color	Item No.	Pack. Unit
● black	770-704/009-000	100
○ white	770-724/009-000	100

770 Series Accessories, see page 355

Approvals, see www.wago.com

Coding overview, see page 372

Coding	Marking	Color
A	N Ⓞ 2/L 1/L	● black
A	N Ⓞ 2/L 1/L	○ white
Q	N PE1 PE2 L	● green



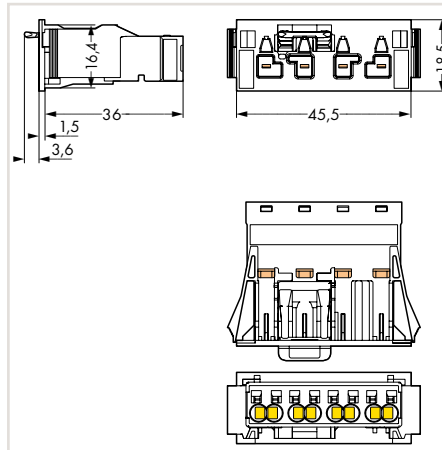
Varnish-piercing direct ground contact

Conductor range, solid and fine-stranded	0.5 ... 4 mm <sup>2</sup> / 20 ... 12 AWG
Conductor range, stranded	0.5 ... 2.5 mm <sup>2</sup> / 20 ... 14 AWG
Rated voltage	400 V
Rated current	25 A (32 A)
Strip length	9 mm / 0.35 inch

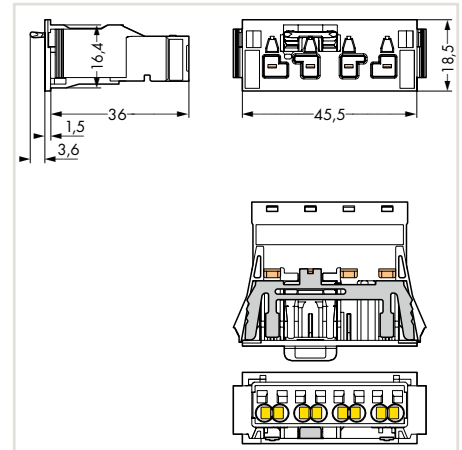


3

Dimensions (in mm):



Dimensions (in mm):



Plugs		
Color	Item No.	Pack. Unit
● black	770-714	100
○ white	770-734	100

Plug, with direct ground contact		
Color	Item No.	Pack. Unit
● black	770-714/007-000	100
○ white	770-734/007-000	100

Plug for "Clean Earth" applications (rated up to 32 A)		
Color	Item No.	Pack. Unit
● green	770-2334	100

Plug, with direct ground contact, (direct ground contact on position PE1), for "Clean Earth" applications (rated up to 32 A)		
Color	Item No.	Pack. Unit
● green	770-2334/007-000	100

Coding	Marking	Color
A	N Ⓞ 2L 1L	● black
A	N Ⓞ 2L 1L	○ white
Q	N PE1 PE2 L	● green

# WINSTA® MIDI

## Pluggable PCB Connectors, 4-Pole

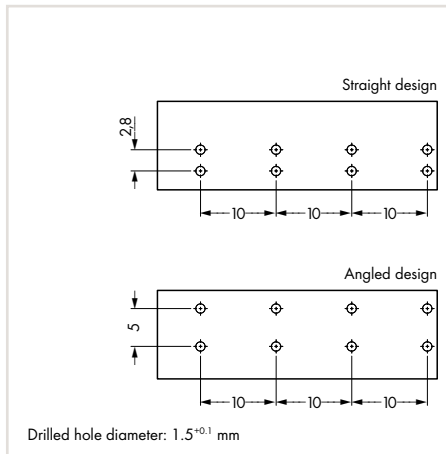
### 770 Series

3

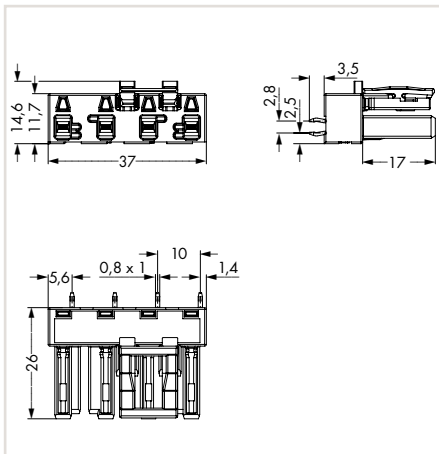
Rated voltage	400 V
Rated current	25 A



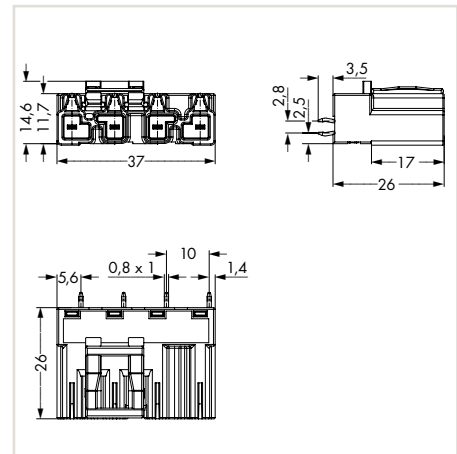
Dimensions (in mm):



Dimensions (in mm):



Dimensions (in mm):



Socket, straight		
Color	Item No.	Pack. Unit
● black	770-804	50
○ white	770-824	50

Plug, straight		
Color	Item No.	Pack. Unit
● black	770-814	50
○ white	770-834	50

770 Series Accessories, see page 355

Approvals, see www.wago.com

Coding overview, see page 372

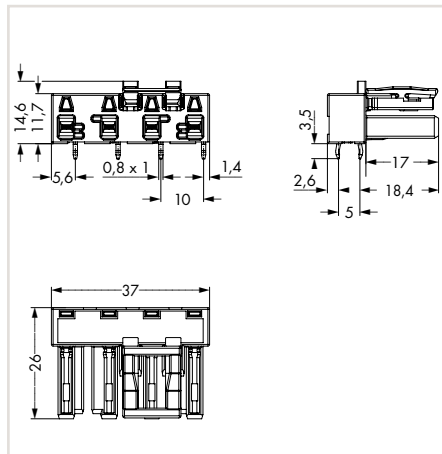
Coding	Marking	Color
A	N Ⓞ 1L 1L	● black
A	N Ⓞ 2L 1L	○ white

Rated voltage	400 V
Rated current	25 A

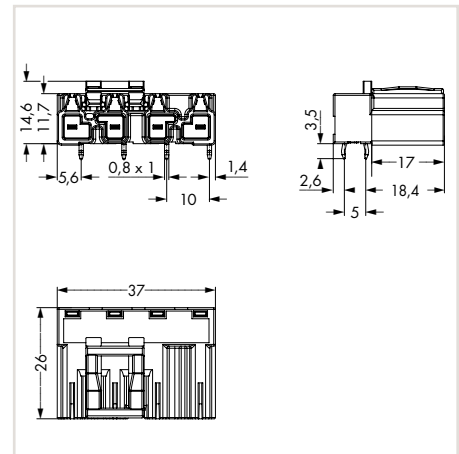


3

Dimensions (in mm):



Dimensions (in mm):



Socket, angled		
Color	Item No.	Pack. Unit
● black	770-804/011-000	50
○ white	770-824/011-000	50

Plug, angled		
Color	Item No.	Pack. Unit
● black	770-814/011-000	50
○ white	770-834/011-000	50

Coding	Marking	Color
A	N Ⓢ 2L 1L	● black
A	N Ⓢ 2L 1L	○ white

# WINSTA® MIDI

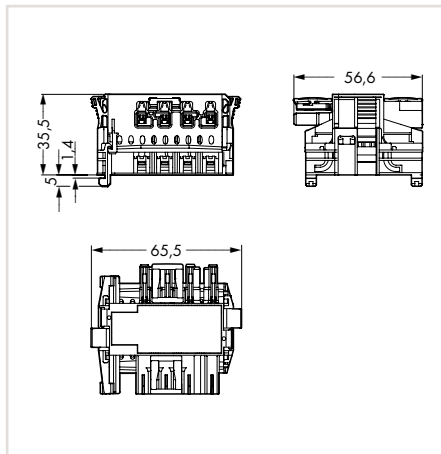
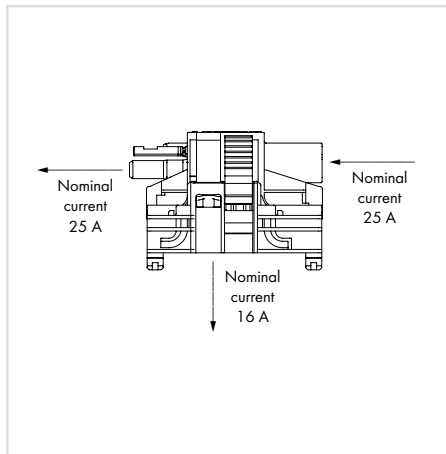
## Linect® T-Distribution Connectors and T-Connectors, 4-Pole 770 Series

Rated voltage	400 V
Rated current	25 A

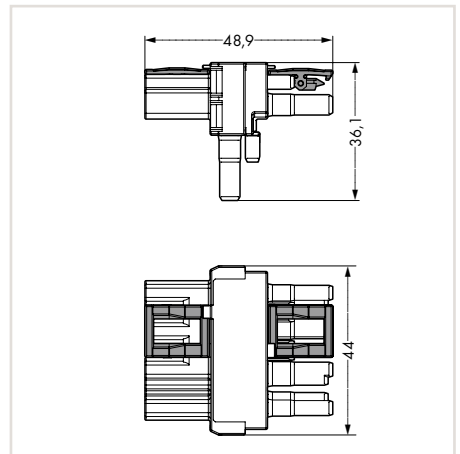
3



Dimensions (in mm):



Dimensions (in mm):



Linect® T-connector, socket – plug, white housing, white cover, for lighting connectors 294-8024 and 294-8124

Color	Item No.	Pack. Unit
○ white	770-6224	25

T-distribution connector, 1 x plug/2 x socket

Color	Item No.	Pack. Unit
● black	770-626	50
○ white	770-676	50

T-distribution connector, 1 x plug/2 x socket, for "flying leads," with 3rd locking lever

Color	Item No.	Pack. Unit
● black	770-627	50
○ white	770-677	50

770 Series Accessories, see page 355

Approvals, see www.wago.com

Coding overview, see page 372

Coding	Marking	Color
A	N Ⓞ 2L 1L	● black
A	N Ⓞ 2L 1L	○ white



## WINSTA® MIDI

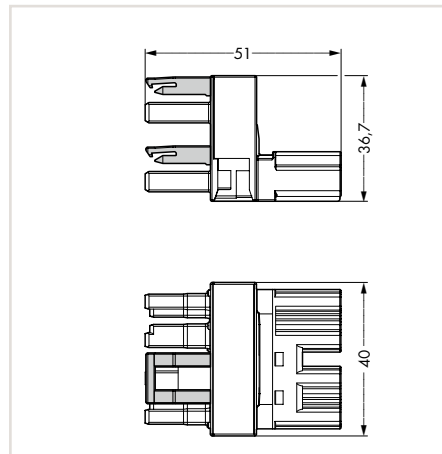
### h-Distribution Connectors, 4-Pole

### 770 Series

Rated voltage	400 V
Rated current	25 A



Dimensions (in mm):



h-distribution connector, unidirectional,  
plug/socket – socket

Color	Item No.	Pack. Unit
● black	770-944	25
○ white	770-994	25

h-distribution connector, unidirectional,  
plug/socket – socket,  
for “flying leads,”  
with 3rd locking lever

Color	Item No.	Pack. Unit
● black	770-945	25
○ white	770-995	25

Coding	Marking	Color
A	N Ⓢ 2L 1L	● black
A	N Ⓢ 2L 1L	○ white

# WINSTA® MIDI

## Sockets and Plugs, 5-Pole 770 Series

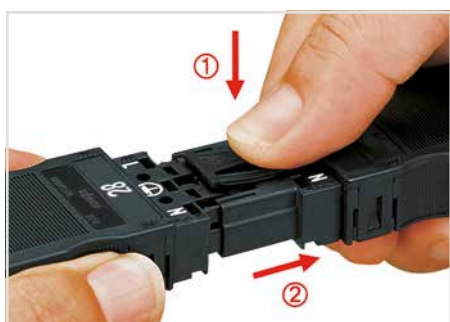


Snap on locking lever – observe direction (picture shows 3-pole plug).

Conductor range, solid and fine-stranded	0.5 ... 4 mm <sup>2</sup> / 20 ... 12 AWG
Conductor range, stranded	0.5 ... 2.5 mm <sup>2</sup> / 20 ... 14 AWG
Rated voltage	400 V
Rated current	25 A
Strip length	9 mm / 0.35 inch



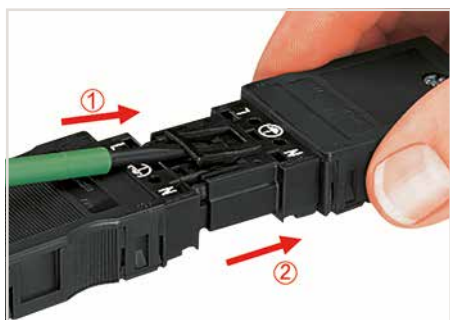
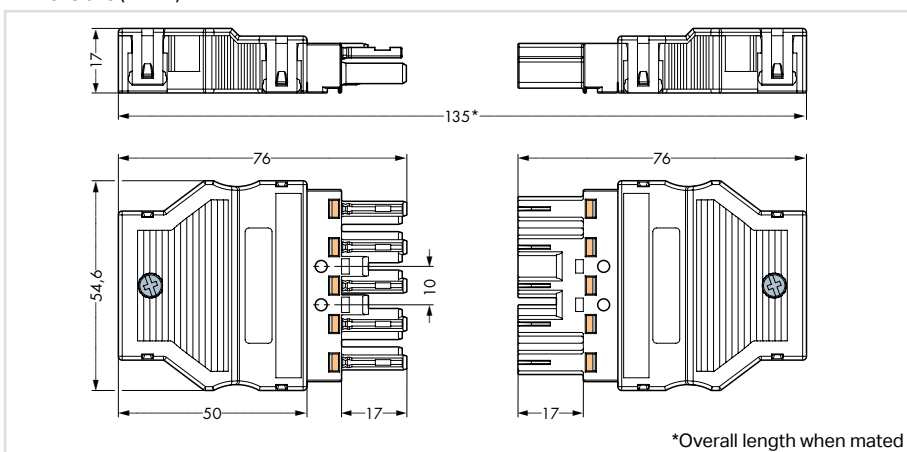
3



Locking lever, manually operated (picture shows 3-pole connectors):

- Push on locking lever
- Pull the connectors apart

Dimensions (in mm):



Locking lever, tool operated (picture shows 3-pole connectors):

- Unlatch locking lever
- Pull the connectors apart

Socket, with strain relief housing, for two cables, 9 ... 13 mm cable diameter, 55 mm strip length

Color	Item No.	Pack. Unit
● black	770-105	25
○ white	770-125	25

Plug, with strain relief housing, for two cables, 9 ... 13 mm cable diameter, 55 mm strip length

Color	Item No.	Pack. Unit
● black	770-115	25
○ white	770-135	25

**Note:**

All connectors for fixed installations (snap-in versions for lighting fixtures or devices, all types of PCB and distribution connectors) are factory-equipped with locking levers to ensure plugs and sockets are securely locked. Additional locking levers are only required for "flying leads" (plug/socket).

770 Series Accessories, see page 355

Approvals, see www.wago.com

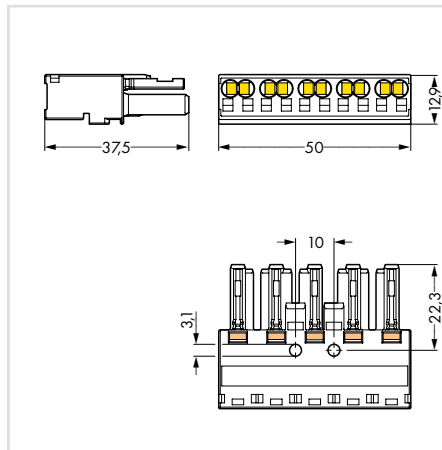
Coding overview, see page 372

Coding	Marking	Color
A	N ⊕ L1 L2 L3	● black
A	N ⊕ L1 L2 L3	○ white

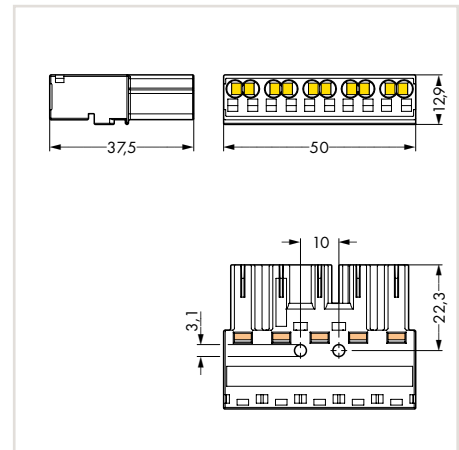
Conductor range, solid and fine-stranded	0.5 ... 4 mm <sup>2</sup> / 20 ... 12 AWG
Conductor range, stranded	0.5 ... 2.5 mm <sup>2</sup> / 20 ... 14 AWG
Rated voltage	400 V
Rated current	25 A (32 A)
Strip length	9 mm / 0.35 inch



Dimensions (in mm):



Dimensions (in mm):



**Socket, without strain relief housing**

Color	Item No.	Pack. Unit
● black	770-205	50
○ white	770-225	50
● blue	770-1105	50
● dark gray	770-1165	50
● red	770-1305	50

**Plug, without strain relief housing**

Color	Item No.	Pack. Unit
● black	770-215	50
○ white	770-235	50
● blue	770-1115	50
● dark gray	770-1175	50
● red	770-1315	50

**Socket, without strain relief housing, for "Clean Earth" applications (rated up to 32 A)**

Color	Item No.	Pack. Unit
● green	770-1325	50

**Plug, without strain relief housing, for "Clean Earth" applications (rated up to 32 A)**

Color	Item No.	Pack. Unit
● green	770-1335	50

Coding	Marking	Color
A	N ⊕ L1 L2 L3	● black
A	N ⊕ L1 L2 L3	○ white
I	N ⊕ L DA- DA+	● blue
L	N ⊕ L N' L'	● dark gray
P	N ⊕ L1 L2 L3	● red
Q	N PE1 PE2 PE3 L	● green

# WINSTA® MIDI

## Sockets and Plugs, 5-Pole, 1-Conductor

### 770 Series

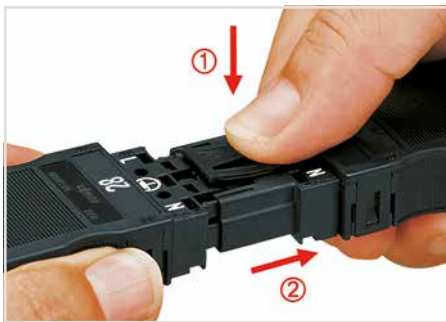


Snap on locking lever – observe direction (picture shows 3-pole plug).

Conductor range, solid and fine-stranded	0.5 ... 4 mm <sup>2</sup> / 20 ... 12 AWG
Conductor range, stranded	0.5 ... 2.5 mm <sup>2</sup> / 20 ... 14 AWG
Rated voltage	400 V
Rated current	25 A
Strip length	9 mm / 0.35 inch



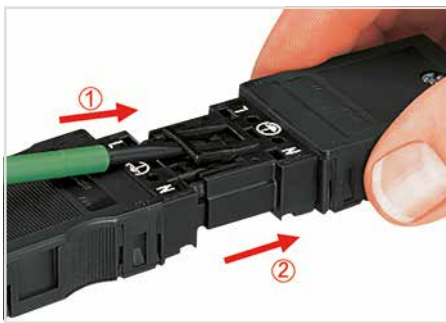
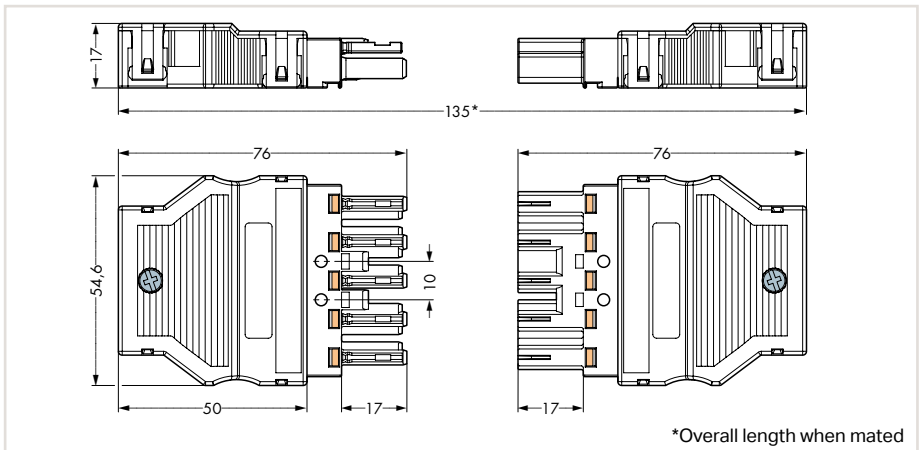
3



Locking lever, manually operated (picture shows 3-pole connectors):

- Push on locking lever
- Pull the connectors apart

Dimensions (in mm):



Locking lever, tool operated (picture shows 3-pole connectors):

- Unlatch locking lever
- Pull the connectors apart

Socket, with strain relief housing, for one cable, 9 ... 13 mm cable diameter, 55 mm strip length

Color	Item No.	Pack. Unit
● black	770-305	25
○ white	770-325	25

Plug, with strain relief housing, for one cable, 9 ... 13 mm cable diameter, 55 mm strip length

Color	Item No.	Pack. Unit
● black	770-315	25
○ white	770-335	25

**Note:**

All connectors for fixed installations (snap-in versions for lighting fixtures or devices, all types of PCB and distribution connectors) are factory-equipped with locking levers to ensure plugs and sockets are securely locked. Additional locking levers are only required for "flying leads" (plug/socket).

770 Series Accessories, see page 355

Approvals, see www.wago.com

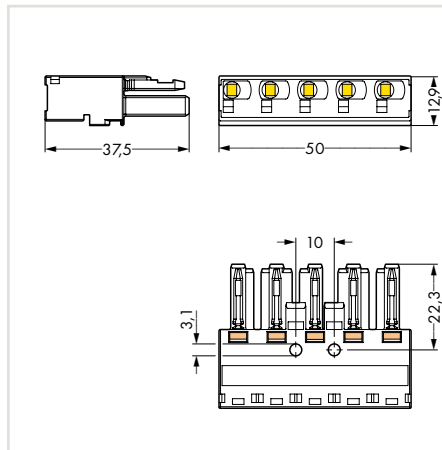
Coding overview, see page 372

Coding	Marking	Color
A	N ⊕ L1 L2 L3	● black
A	N ⊕ L1 L2 L3	○ white

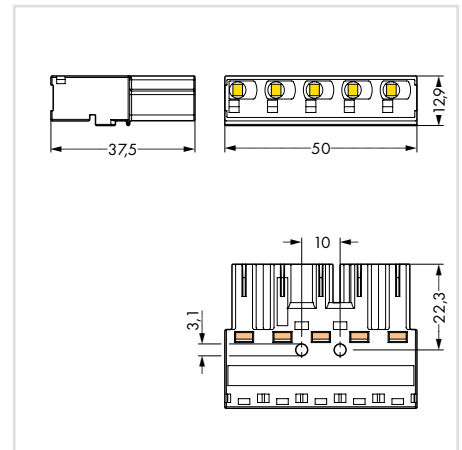
Conductor range, solid and fine-stranded	0.5 ... 4 mm <sup>2</sup> / 20 ... 12 AWG
Conductor range, stranded	0.5 ... 2.5 mm <sup>2</sup> / 20 ... 14 AWG
Rated voltage	400 V
Rated current	25 A
Strip length	9 mm / 0.35 inch



Dimensions (in mm):



Dimensions (in mm):



**Socket, without strain relief housing**

Color	Item No.	Pack. Unit
● black	770-405	50
○ white	770-425	50

**Plug, without strain relief housing**

Color	Item No.	Pack. Unit
● black	770-415	50
○ white	770-435	50

Coding	Marking	Color
A	N Ⓢ L1 L2 L3	● black
A	N Ⓢ L1 L2 L3	○ white

3

# WINSTA® MIDI

## Strain Relief Housings for Different Cable Diameters, 5-Pole 770 Series

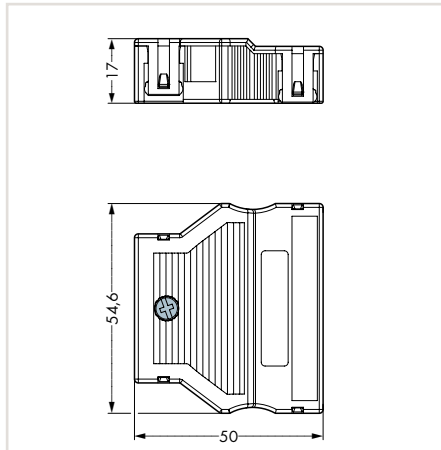


Snap-on type strain relief housings for:

- 5-pole sockets
- 5-pole plugs



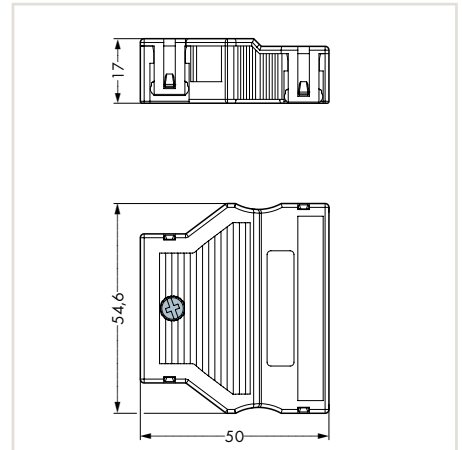
Dimensions (in mm):



Strain relief housing, for two cables, for 5 ... 9 mm cable diameter, 55 mm strip length

Color	Item No.	Pack. Unit
black	770-505/023-000	25
white	770-515/023-000	25

Dimensions (in mm):



Strain relief housing, for two cables, for 9 ... 13 mm cable diameter, 55 mm strip length

Color	Item No.	Pack. Unit
black	770-505	25
white	770-515	25

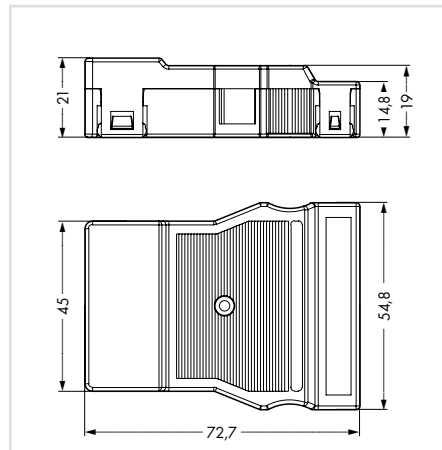
All strain relief housings are suitable for H05VV and NYM cables. Other cables are available upon request.

Marking strips, see page 369

Approvals, see www.wago.com



Dimensions (in mm):



Strain relief housing,  
for one cable, 11.5 ... 16.5 mm cable diameter,  
71 mm strip length

Color	Item No.	Pack. Unit
black	770-505/021-000	25
white	770-515/021-000	25

# WINSTA® MIDI

## Snap-In Sockets and Plugs, 5-Pole

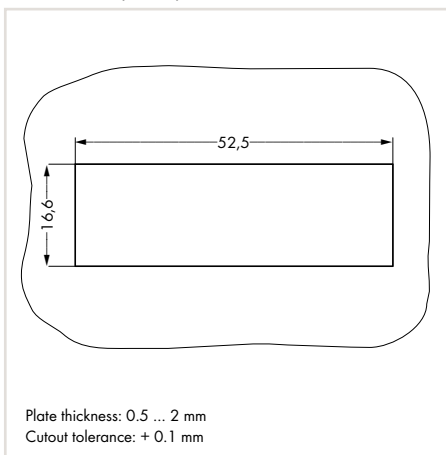
### 770 Series

3

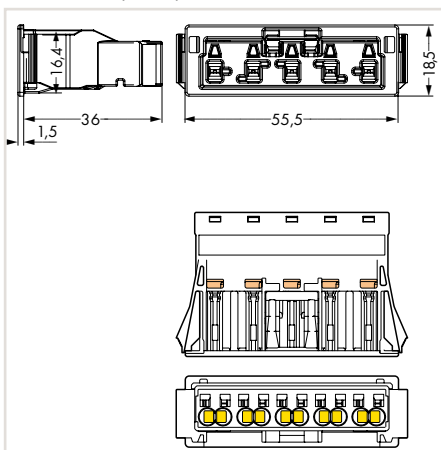
Conductor range, solid and fine-stranded	0.5 ... 4 mm <sup>2</sup> / 20 ... 12 AWG
Conductor range, stranded	0.5 ... 2.5 mm <sup>2</sup> / 20 ... 14 AWG
Rated voltage	400 V
Rated current	25 A (32 A)
Strip length	9 mm / 0.35 inch



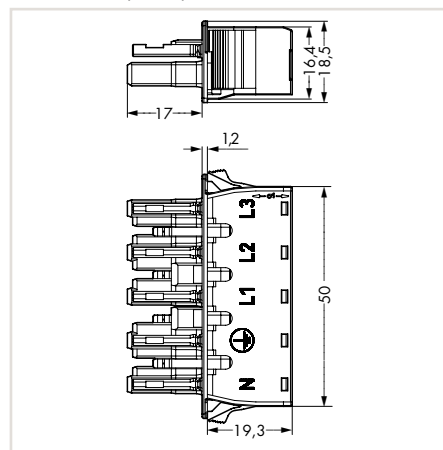
Dimensions (in mm):



Dimensions (in mm):



Dimensions (in mm):



Socket		
Color	Item No.	Pack. Unit
● black	770-705	50
○ white	770-725	50
● blue	770-2105	50
● red	770-2305	50

Socket for "Clean Earth" applications (rated up to 32 A)		
Color	Item No.	Pack. Unit
● green	770-2325	50

Socket, with protruding interface		
Color	Item No.	Pack. Unit
● black	770-705/009-000	50
○ white	770-725/009-000	50

770 Series Accessories, see page 355

Approvals, see www.wago.com

Coding overview, see page 372

Coding	Marking	Color
A	N ⊕ L1 L2 L3	● black
A	N ⊕ L1 L2 L3	○ white
I	N ⊕ L DA- DA+	● blue
P	N ⊕ L1 L2 L3	● red
Q	N PE1 PE2 PE3 L	● green





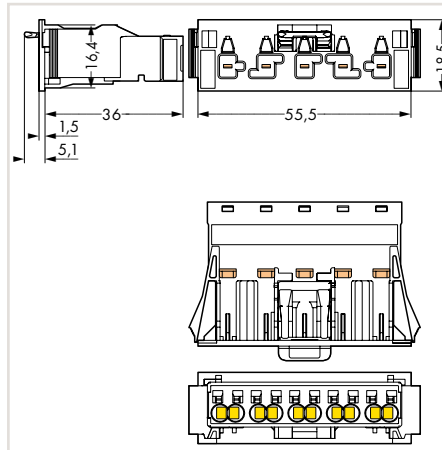
Varnish-piercing direct ground contact

Conductor range, solid and fine-stranded	0.5 ... 4 mm <sup>2</sup> / 20 ... 12 AWG
Conductor range, stranded	0.5 ... 2.5 mm <sup>2</sup> / 20 ... 14 AWG
Rated voltage	400 V
Rated current	25 A (32 A)
Strip length	9 mm / 0.35 inch

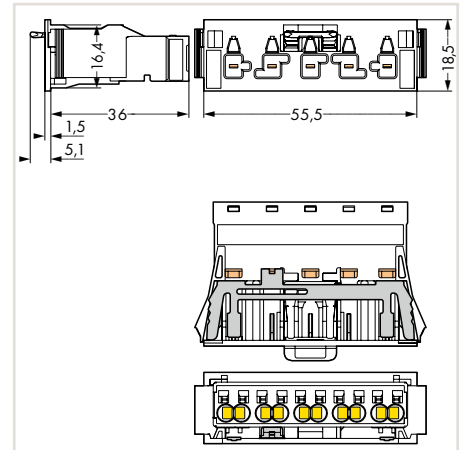


3

Dimensions (in mm):



Dimensions (in mm):



Plugs		
Color	Item No.	Pack. Unit
● black	770-715	50
○ white	770-735	50
● blue	770-2115	50
● red	770-2315	50

Plug, with direct ground contact		
Color	Item No.	Pack. Unit
● black	770-715/007-000	50
○ white	770-735/007-000	50
● blue	770-2115/007-000	50

Plug for "Clean Earth" applications (rated up to 32 A)		
Color	Item No.	Pack. Unit
● green	770-2335	50

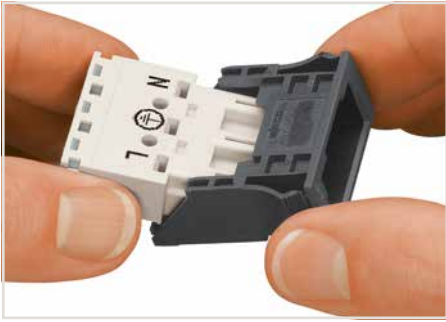
Plug, with direct ground contact, (direct ground contact on position PE1), for "Clean Earth" applications (rated up to 32 A)		
Color	Item No.	Pack. Unit
● green	770-2335/007-000	50

Coding	Marking	Color
A	N ⊕ L1 L2 L3	● black
A	N ⊕ L1 L2 L3	○ white
I	N ⊕ L DA- DA+	● blue
P	N ⊕ L1 L2 L3	● red
Q	N PE1 PE2 PE3 L	● green

# WINSTA® MIDI

## Snap-In Frames, 5-Pole

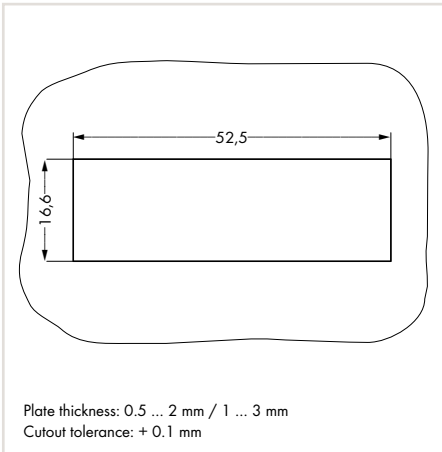
### 770 Series



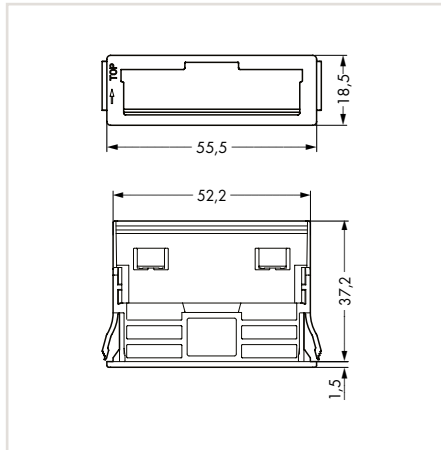
3 Insert the socket or plug into the frame (observe the "TOP" marking on the frame!), then snap the assembled unit into the cutout (example shows a 3-pole connector).



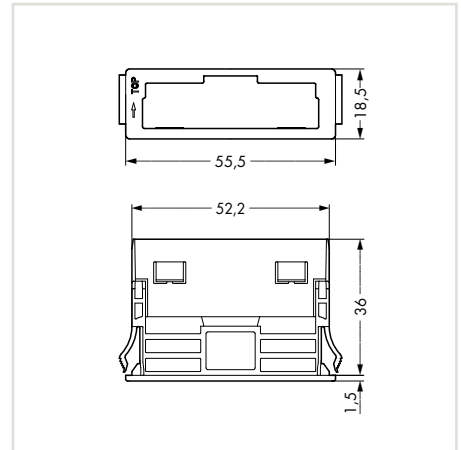
Dimensions (in mm):



Dimensions (in mm):



Dimensions (in mm):



Snap-in frame,  
for 0.5 ... 2 mm plate thickness

Color	Item No.	Pack. Unit
black	770-321	100
white	770-341	100

Snap-in frame,  
for 1 ... 3 mm plate thickness  
for A-coding/B//P/Q

Color	Item No.	Pack. Unit
black	770-320	100
white	770-340	100

770 Series Accessories,  
see page 355

Approvals,  
see www.wago.com

Coding overview,  
see page 372



# WINSTA® MIDI

## Pluggable PCB Connectors, 5-Pole

### 770 Series

3

Rated voltage

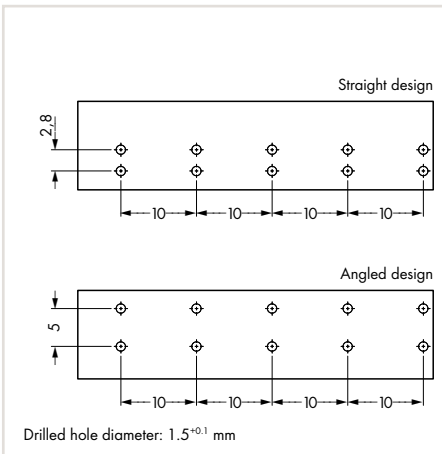
400 V

Rated current

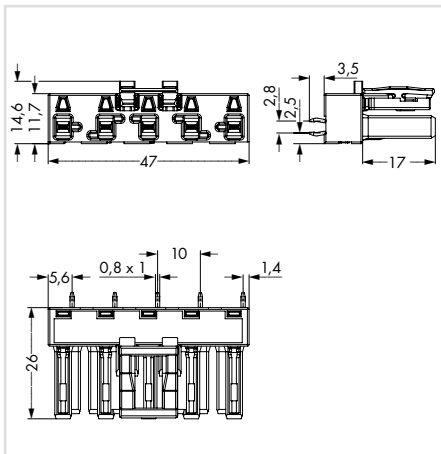
25 A



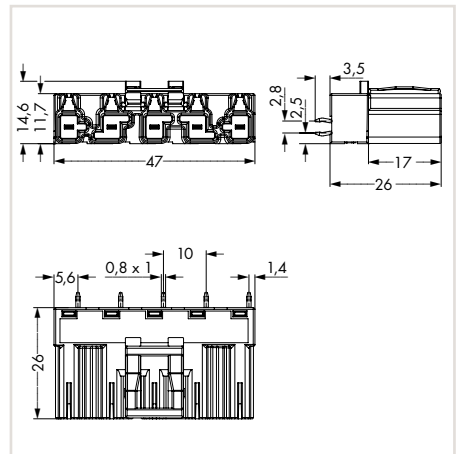
Dimensions (in mm):



Dimensions (in mm):



Dimensions (in mm):



#### Socket, straight

Color	Item No.	Pack. Unit
● black	770-805	50
○ white	770-825	50
● blue	770-3105	50

#### Plug, straight

Color	Item No.	Pack. Unit
● black	770-815	50
○ white	770-835	50
● blue	770-3115	50

770 Series Accessories, see page 355

Approvals, see www.wago.com

Coding overview, see page 372

Coding

A

A

I

Marking

N ⊕ L1 L2 L3

N ⊕ L1 L2 L3

N ⊕ L DA- DA+

Color

● black

○ white

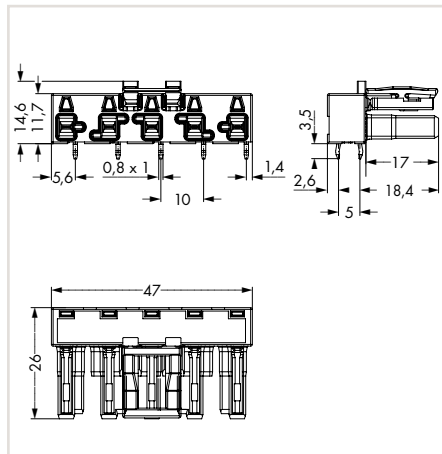
● blue

Rated voltage	400 V
Rated current	25 A

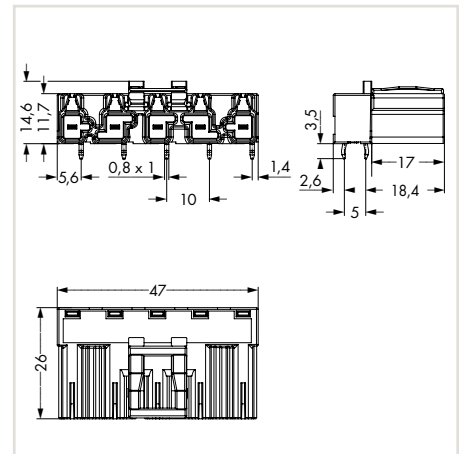


3

Dimensions (in mm):



Dimensions (in mm):



Socket, angled		
Color	Item No.	Pack. Unit
● black	770-805/011-000	50
○ white	770-825/011-000	50
● blue	770-3105/011-000	50

Plug, angled		
Color	Item No.	Pack. Unit
● black	770-815/011-000	50
○ white	770-835/011-000	50
● blue	770-3115/011-000	50

Coding	Marking	Color
A	N Ⓞ L1 L2 L3	● black
A	N Ⓞ L1 L2 L3	○ white
I	N Ⓞ L DA- DA+	● blue

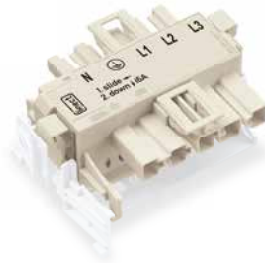
# WINSTA® MIDI

## Linect® T-Distribution Connectors and T-Connectors, 5-Pole 770 Series

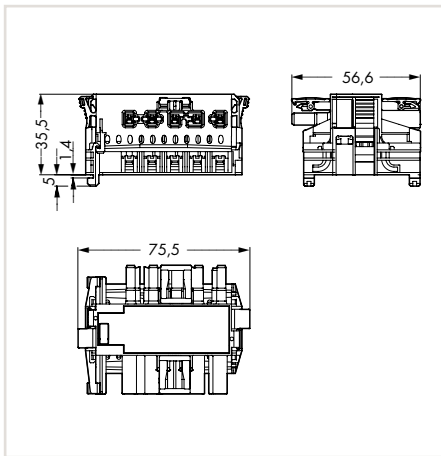
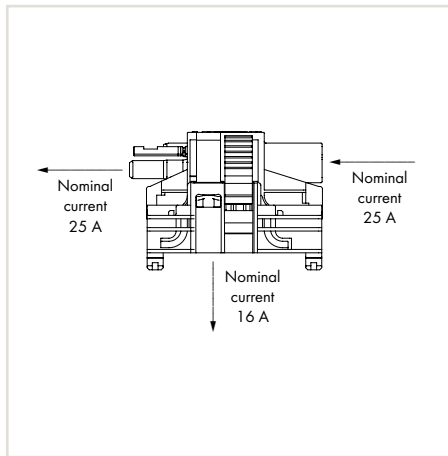
3

Rated voltage	400 V
Rated current	25 A

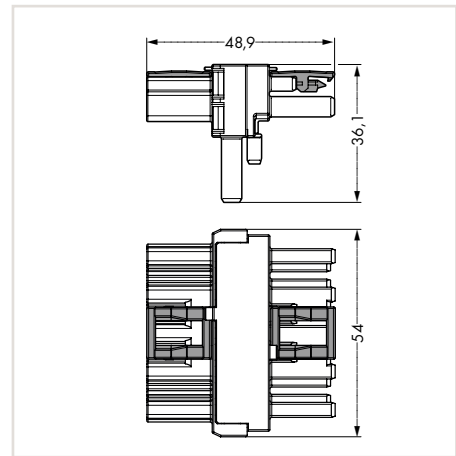
Rated voltage	400 V
Rated current	25 A



Dimensions (in mm):



Dimensions (in mm):



Linect® T-connector, socket – plug, white housing, white cover, for lighting connectors 294-8015 and 294-8115

Color	Item No.	Pack. Unit
○ white	770-6225	25

T-distribution connector, 1 x plug/2 x socket

Color	Item No.	Pack. Unit
● black	770-621	50
○ white	770-671	50
● blue	770-617	50
● red	770-921	50

Linect® T-connector, socket – plug, for DALI applications, white housing, blue cover, for lighting connectors 294-8035 and 294-8135

Color	Item No.	Pack. Unit
● blue	770-7105	20

T-distribution connector, 1 x plug/2 x socket, for "flying leads," with 3rd locking lever

Color	Item No.	Pack. Unit
● black	770-622	50
○ white	770-672	50
● blue	770-620	50
● red	770-922	50

Linect® T-connector, socket – plug, white housing, dark gray cover for lighting connectors 294-8025 and 294-8125

Color	Item No.	Pack. Unit
● dark gray	770-7505	20

- 770 Series Accessories, see page 355
- Approvals, see www.wago.com
- Coding overview, see page 372

Coding	Marking	Color
A	N ⊕ L1 L2 L3	● black
A	N ⊕ L1 L2 L3	○ white
I	N ⊕ L DA- DA+	● blue
L	N ⊕ L N' L'	● dark gray
P	N ⊕ L1 L2 L3	● red

## WINSTA® MIDI

### Intermediate Couplers, 5-Pole

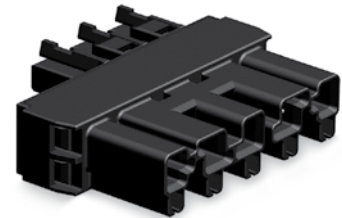
### 770 Series

Rated voltage

250 V / 400 V

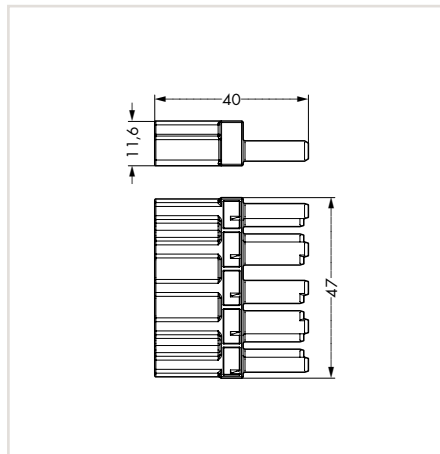
Rated current

25 A

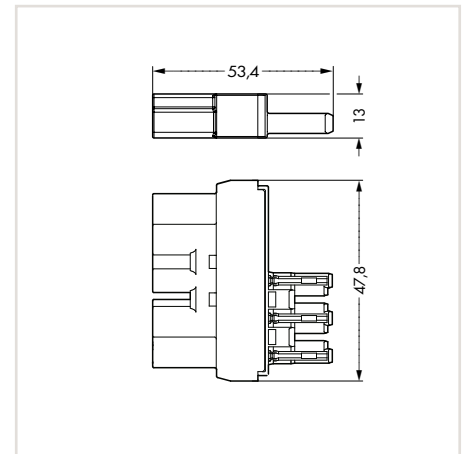


3

Dimensions (in mm):



Dimensions (in mm):

Intermediate coupler,  
1 x plug/1 x socket

Color	Item No.	Pack. Unit
● black	770-605	100
○ white	770-655	100
● blue	770-619	100

Intermediate coupler,  
5- to 3-pole, L1 – L

Color	Item No.	Pack. Unit
● black	770-901	100
○ white	770-951	100
● red	770-911	100

Intermediate coupler,  
5- to 3-pole, L2 – L

Color	Item No.	Pack. Unit
● black	770-902	100
○ white	770-952	100
● red	770-912	100

Intermediate coupler,  
5- to 3-pole, L3 – L

Color	Item No.	Pack. Unit
● black	770-903	100
○ white	770-953	100
● red	770-913	100

Coding	Marking	Color
A	-	● black
A	-	○ white
I	-	● blue
P	-	● red

# WINSTA® MIDI

## Distribution Connectors, 5-Pole

### 770 Series

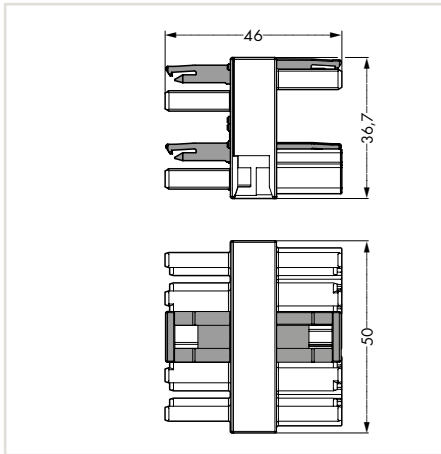
3

Rated voltage	400 V
Rated current	25 A

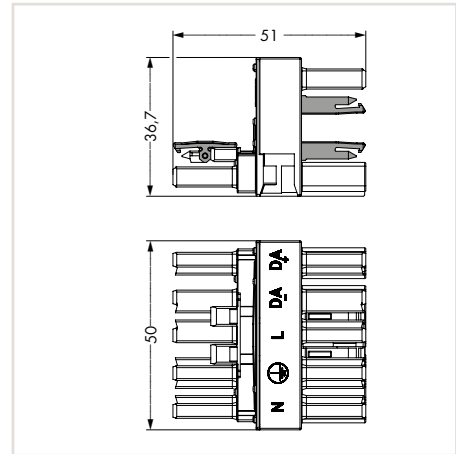
Rated voltage	400 V
Rated current	25 A



Dimensions (in mm):



Dimensions (in mm):



Distribution connector, 3-way,  
1 x plug/3 x socket

Color	Item No.	Pack. Unit
● black	770-609	25
○ white	770-659	25
● blue	770-618	50
● red	770-909	50

h-distribution connector,  
plug/socket – socket

Color	Item No.	Pack. Unit
● blue	770-992	50

h-distribution connector,  
plug/socket – socket,  
for "flying leads,"  
with 3rd locking lever

Color	Item No.	Pack. Unit
● blue	770-993	50

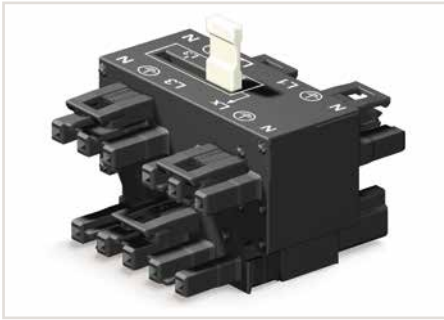
- 770 Series Accessories, see page 355
- Approvals, see www.wago.com
- Coding overview, see page 372

Coding	Marking	Color
A	N Ⓞ L1 L2 L3	● black
A	N Ⓞ L1 L2 L3	○ white
I	N Ⓞ L DA- DA+	● blue
P	N Ⓞ L1 L2 L3	● red



# WINSTA® MIDI

## Three-Phase to Single-Phase Distribution Connectors with Phase Selection, 5-Pole 770 Series



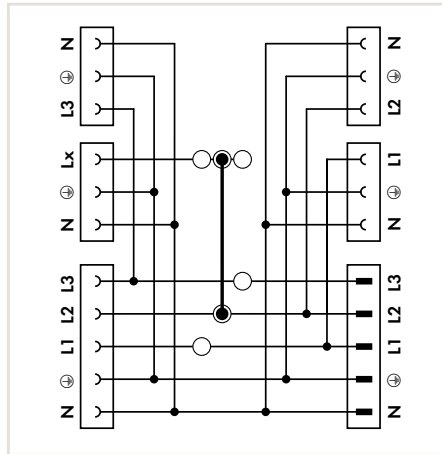
Movable jumper

Rated voltage	250 V / 400 V
Rated current	25 A

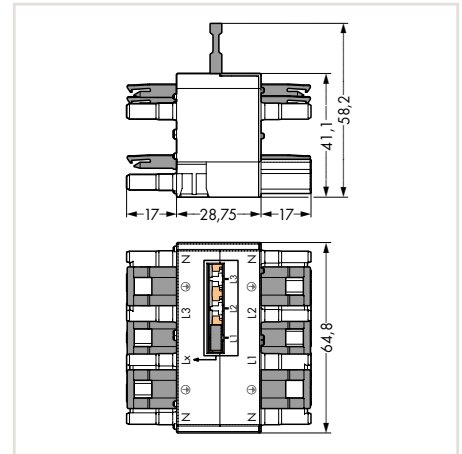
The different jumper positions allow for a wide range of different tap-off options to be selected. In addition to the 3 set tap-offs (L1/L2/L3), the selectable 4th tap-off provides for a high degree of flexibility before, during and after installation.



Jumper pushed down, flush with the housing (position L1)



Dimensions (in mm):



An additional h-distribution connector doubles L1. This results in the following connection options:  
 L1/L1/L2/L2/L3 with jumper in position L2  
 L1/L1/L2/L3/L3 with jumper in position L3

**Distribution connector, three-phase to single-phase current**

Color	Item No.	Pack. Unit
● black	770-640	10
○ white	770-690	10
● red	770-940	10



Additional h-distribution connectors double L1 and L3. This results in the following connection option:  
 L1/L1/L2/L2/L3/L3 with jumper in position L2  
 Notice: h-distribution connectors can only be plugged on L1 and L3.

Coding	Marking	Color
A	N ⊕ L1 L2 L3	● black
A	N ⊕ L1 L2 L3	○ white
P	N ⊕ L1 L2 L3	● red

# WINSTA® MIDI

## Distribution Connectors with Phase Selection, 5-Pole 770 Series



Lift jumper out of delivery position (L2) using a screwdriver and move it into the desired position.



Push down jumper in its new position (picture shows L3).



The 5-pole energy circuit can be extended using pluggable cable assemblies.



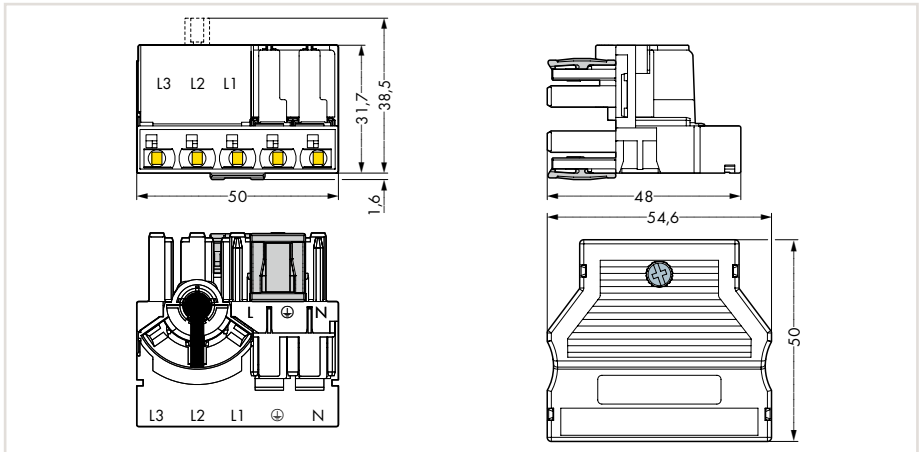
Plugging a 3-pole tap-off cable.

Conductor range, solid and fine-stranded	0.5 ... 4 mm <sup>2</sup> / 20 ... 12 AWG
Conductor range, stranded	0.5 ... 2.5 mm <sup>2</sup> / 20 ... 14 AWG
Rated voltage	400 V
Rated current	25 A
Strip length	9 mm / 0.35 inch

Tap-off: Socket, 3-pole, N ⊕ L  
 Through contact: Socket, 5-pole, N ⊕ L1 L2 L3



Dimensions (in mm):



Distribution connector, with phase selection, with strain relief housing, 9 ... 13 mm cable diameter, 55 mm strip length

Color	Item No.	Pack. Unit
● black	770-611	10
○ white	770-661	10

770/771 Series Accessories, see page 355

Approvals, see www.wago.com

Coding overview, see page 372

Coding	Marking	Color
A	N ⊕ L1 L2 L3	● black
A	N ⊕ L1 L2 L3	○ white

# WINSTA® MIDI

## Strain Relief Housings, 6-Pole

### 770 Series

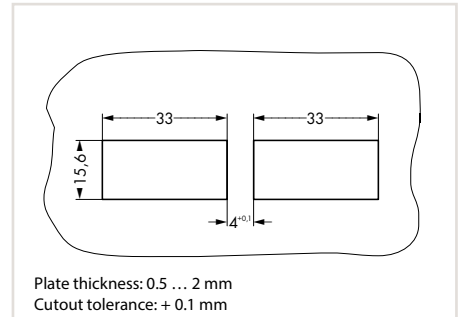
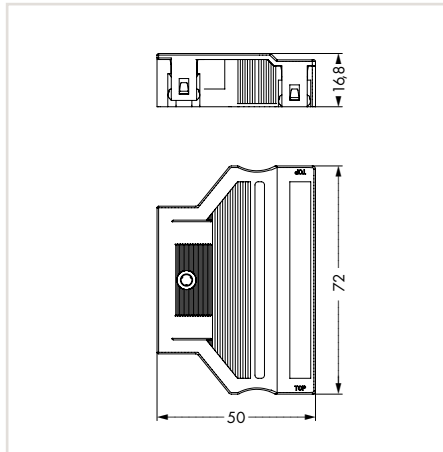


3

Snap-on type strain relief housings for:

- two 3-pole sockets
- two 3-pole plugs
- 3-pole socket and plug

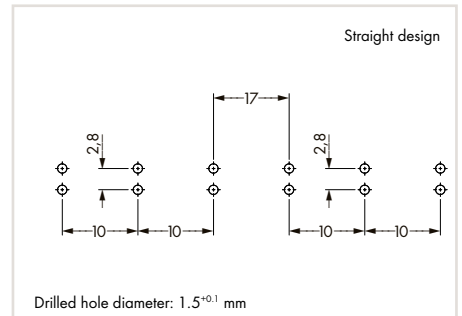
Dimensions (in mm):



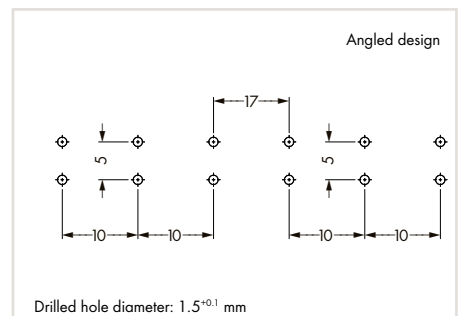
Using a 6-pole strain relief housing with snap-in connectors requires the cutout dimensions shown above.

Strain relief housing,  
for two cables,  
for 8.5 ... 13.5 mm cable diameter,  
55 mm strip length

Color	Item No.	Pack. Unit
black	770-506/029-000	50
white	770-516/029-000	50



Using a straight, 6-pole PCB connector requires the hole patterns shown above.



Using an angled, 6-pole PCB connector requires the hole patterns shown above.

Marking strips,  
see page 369

Approvals,  
see www.wago.com

# WINSTA® MIDI

## Strain Relief Housings, 7-Pole

### 770 Series



Snap-on type strain relief housings for:

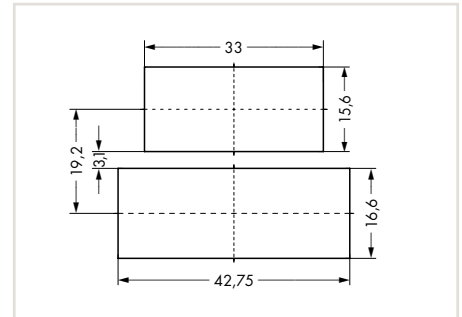
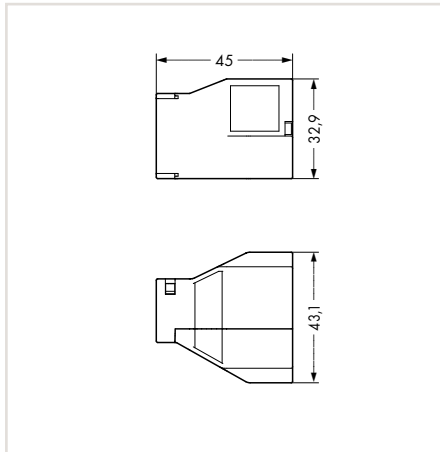
- 3-pole socket or plug
- 4-pole socket or plug



3



Flying leads  
(NOTICE: Only use locking levers on upper position)



Using a 7-pole strain relief housing with snap-in connectors requires the cutout dimensions shown above.



Flying leads

Strain relief housing,  
for one cable, 8 ... 15 mm cable diameter,  
55 mm strip length

Color	Item No.	Pack. Unit
black	770-507/047-000	200
white	770-517/047-000	200

## WINSTA® MIDI special

### Technical Data, 2- to 5-Pole

#### 770 / 771 Series



Connection Data	
Connection technology	Push-in CAGE CLAMP®
Solid conductor	0.5 ... 4 mm <sup>2</sup> / 20 ... 12 AWG
Solid conductor, push-in termination	1.5 ... 4 mm <sup>2</sup> / 16 ... 12 AWG
Stranded conductor	0.5 ... 2.5 mm <sup>2</sup> / 20 ... 14 AWG
Fine-stranded conductor	0.5 ... 4 mm <sup>2</sup> / 20 ... 12 AWG
Fine-stranded conductor with uninsulated ferrule	0.25 ... 2.5 mm <sup>2</sup> / 20 ... 14 AWG
Fine-stranded conductor with insulated ferrule	0.25 ... 1.5 mm <sup>2</sup> / 20 ... 16 AWG
Strip length	9 mm / 0.35 inch (see also packaging or instructions)


Electrical Data	
Ratings per*	IEC/EN 60664-1
Rated voltage (III / 3)	
2-pole	250 V
3-pole	250 V
4-pole	400 V
5-pole	400 V
Rated surge voltage (III / 3)	
2-pole	4 kV
3-pole	4 kV
4-pole	6 kV
5-pole	6 kV
Rated current	
2-pole	25 A
3-pole	25 A
4-pole	25 A 25 A for 3-pole load 20 A for 4-pole load
5-pole	25 A 25 A for 3-pole load 20 A for 4- and 5-pole load
Approvals per	
	UL 1977 (factory wiring only)
Rated voltage (UL)	600 V
Rated current (UL)	23 A


Application note for the U.S. market (USR):  
Some versions may also be used for current interruption in accordance with the UL certificate in select applications with currents below 16 A and voltages up to 600 V.  
For further information, please contact your local sales office.


Clearances and creepage distances	≥ 5.5 mm to exposed surfaces
Contact resistance	approx. 1 mΩ contact resistance approx. 0.25 mΩ contact transition socket / plug
Number of potentials	
2-pole	2
3-pole	3
4-pole	4
5-pole	5
Number of connection points	
2-pole	2
3-pole	3
4-pole	4
5-pole	5

Mechanical Data	
Mating cycles	200, without resistive load 100, with resistive load $I_N = 16 \text{ A}$ (1.5 mm <sup>2</sup> )
Mating forces	20 ... 70 N (depending on pole number)
Unmating forces	20 ... 70 N (depending on pole number) when unlocked
Retention forces	> 80 N (locked)

\*(III / 3) Δ Overvoltage category III /  
Pollution degree 3

 770/771 Series Accessories,  
see page 355

 Approvals,  
see [www.wago.com](http://www.wago.com)

 Coding overview,  
see page 372

**Mechanical Data (Continued)**

Cable diameter	
2-pole	7 ... 10.5 mm
3-pole	8 ... 11.5 mm Ø
4-pole	9 ... 13 mm
5-pole	9 ... 13 mm
Protection type	IP2xC (with strain relief housing) Note: These compact connectors are not designed for use in open, easily accessible areas.
Processing temperature	-5 ... +40 °C
Continuous operating temperature	-35 ... ≤ +85 °C PVC cable ≤ +70 °C (incl. halogen-free) Insulating parts ≤ +105 °C

**Locking Levers**

All connectors for mounted installations (snap-in versions for lighting fixtures or devices, all types of PCB and distribution connectors) are factory-equipped with locking levers to ensure plugs and sockets are securely locked. Additional locking levers are only required for "flying leads" (plug/socket).

**Material Data**

Insulating parts	Polyamide (PA 66), halogen-free
Contacts	Copper or copper alloy, surface-treated
Clamping spring	Stainless steel (Cr-Ni)
Flammability class (per UL 94)	V0

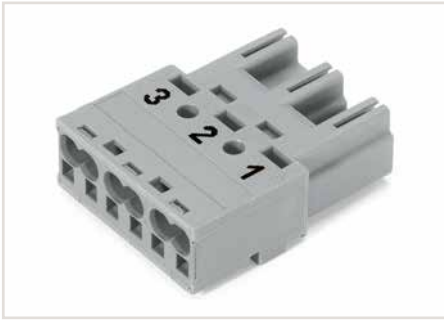
**Standards/Approvals**

- UL (Depending on end-product standard, it may be necessary to use UL-approved cables with an appropriate AWG. These cables are available upon request.)
- CCA certificate
- IEC 61984
- LR
- GL
- DNV
- Strain relief housings for use in easily accessible areas are available (see page 154). These products meet IP 2XD protection class.

# WINSTA® MIDI special

## Description and Installation

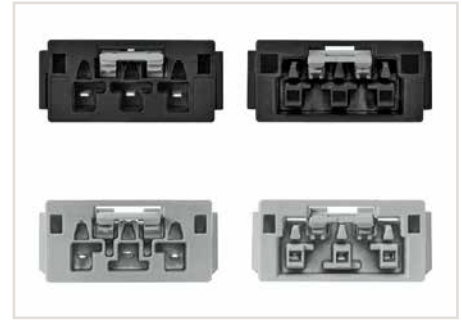
### 770 / 771 Series



Gray, B-coded connector with "3 2 1" marking, e.g., control signal (A circuit)



Easy circuit identification via different marking and colors

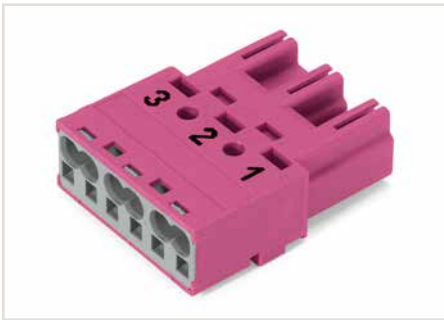


B-coded connectors (shown in gray) not only differ in color, but also in their design, making them incompatible with other coded connectors.

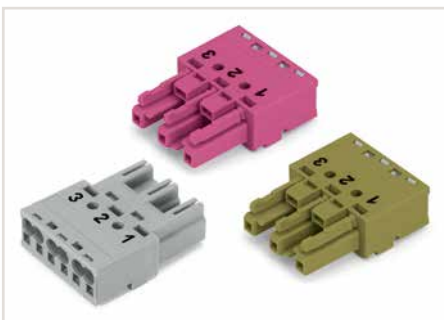
4



Light green, B-coded connector with "3 2 1" marking, e.g., DC power supply (24 V circuit)



Pink, B-coded connector with "3 2 1" marking, e.g., control signal (B circuit)



B-coded connectors with different colors can be plugged together.

**Important note:**

Different colors and/or pole markings are used for circuit identification.

Only connectors of the same color and same pole marking must be plugged together.

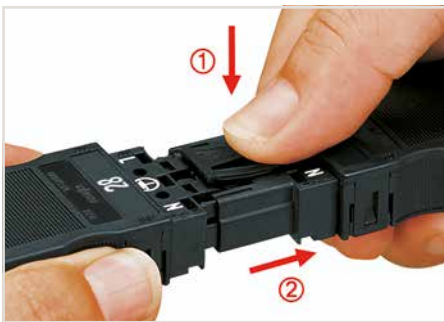
Installation notes for conductor connection, shield termination, operating tools and mounting aids for WINSTA® MIDI special pluggable connectors, see page 106.

# WINSTA® MIDI special Sockets and Plugs, 2-Pole 770 Series



Snap on locking lever – observe direction (picture shows 3-pole plug).

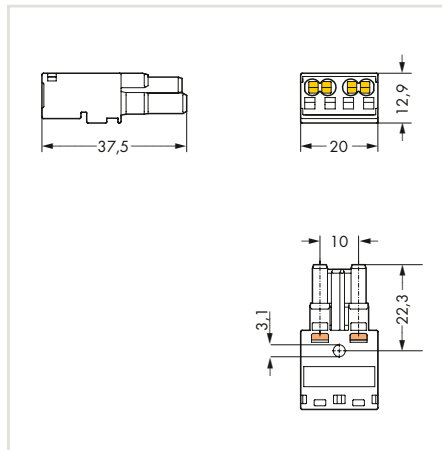
Conductor range, solid and fine-stranded	0.5 ... 4 mm <sup>2</sup> / 20 ... 12 AWG
Conductor range, stranded	0.5 ... 2.5 mm <sup>2</sup> / 20 ... 14 AWG
Rated voltage	250 V
Rated current	25 A
Strip length	9 mm / 0.35 inch



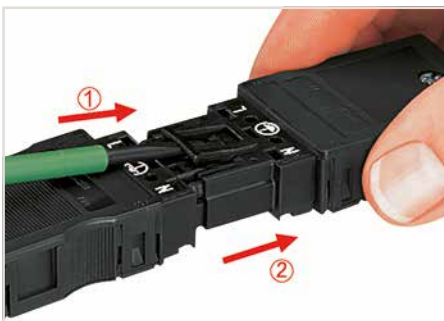
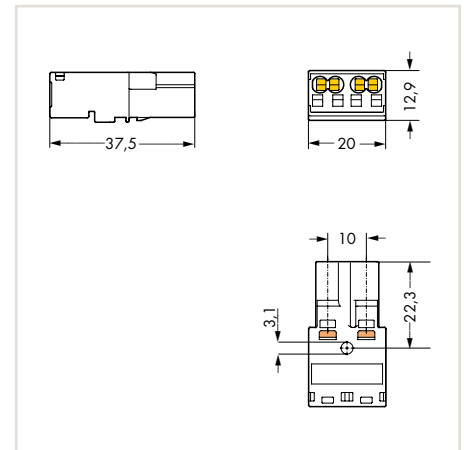
Locking lever, manually operated (picture shows 3-pole connectors):

- Push on locking lever
- Pull the connectors apart

Dimensions (in mm):



Dimensions (in mm):



Locking lever, tool operated (picture shows 3-pole connectors):

- Unlatch locking lever
- Pull the connectors apart

Socket, without strain relief housing		
Color	Item No.	Pack. Unit
gray	770-242	100
gray	770-242/060-000	100
light green	770-262	100
pink	770-282	100
pink	770-282/080-000	100
pink	770-282/082-000	100

Plug, without strain relief housing		
Color	Item No.	Pack. Unit
gray	770-252	100
gray	770-252/060-000	100
light green	770-272	100
pink	770-292	100
pink	770-292/080-000	100
pink	770-292/082-000	100

Additional pole markings available upon request.

**Note:**

All connectors for fixed installations (snap-in versions for lighting fixtures or devices, all types of PCB and distribution connectors) are factory-equipped with locking levers to ensure plugs and sockets are securely locked. Additional locking levers are only required for "flying leads" (plug/ socket).

- 770 Series Accessories, see page 355
- Approvals, see www.wago.com
- Coding overview, see page 374

Coding	Marking	Suffix No.	Color
B	1 2		gray
B	L N	/060-000	gray
B	1 2		light green
B	1 2		pink
B	1+ 1-	/080-000	pink
B	+ -	/082-000	pink



## WINSTA® MIDI special Strain Relief Housings for Different Cable Diameters, 2-Pole 770 Series

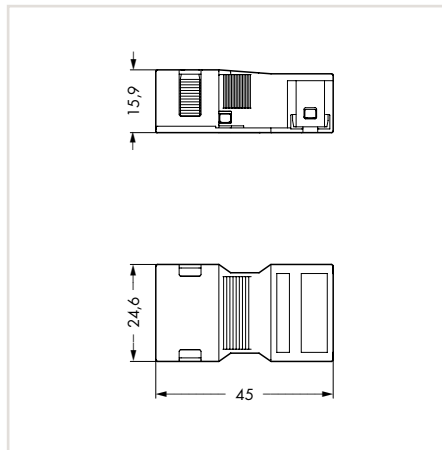


Snap-on type strain relief housings for:

- 2-pole sockets
- 2-pole plugs



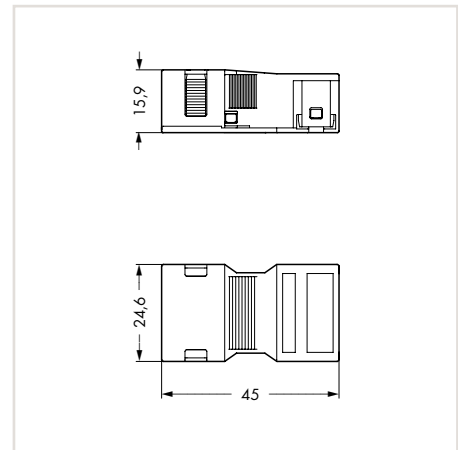
Dimensions (in mm):



Strain relief housing,  
for one cable, 5 ... 9 mm cable diameter,  
35 mm strip length


Color	Item No.	Pack. Unit
black	770-502/042-000	50
white	770-512/042-000	50


Dimensions (in mm):



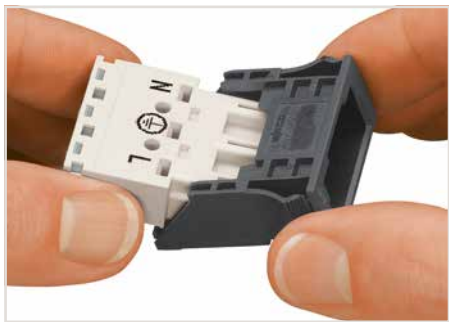
Strain relief housing,  
for one cable, 7 ... 10.5 mm cable diameter,  
35 mm strip length

Color	Item No.	Pack. Unit
black	770-502/041-000	50
white	770-512/041-000	50

 Marking strips,  
see page 369

 Approvals,  
see [www.wago.com](http://www.wago.com)

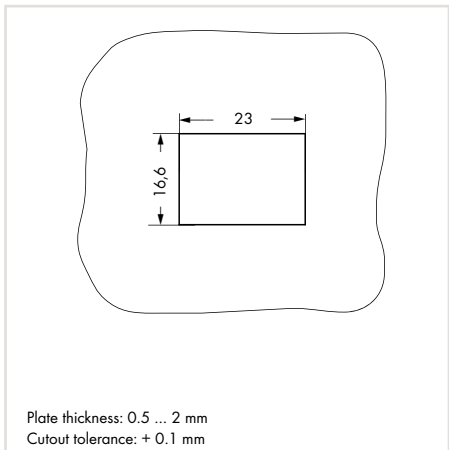
# WINSTA® MIDI special Snap-In Frames, 2-Pole 770 Series



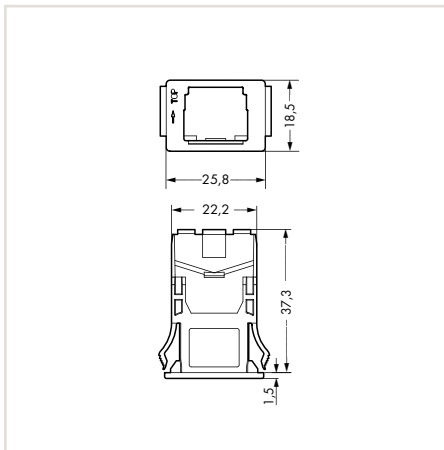
Insert the socket or plug into the frame (observe the "TOP" marking on the frame!), Snap the assembled unit into the cutout (example shows a 3-pole connector).



Dimensions (in mm):



Dimensions (in mm):



Snap-in frame,  
for 2-pole sockets and plugs

Color	Item No.	Pack. Unit
black	770-317	100
white	770-337	100

# WINSTA® MIDI special

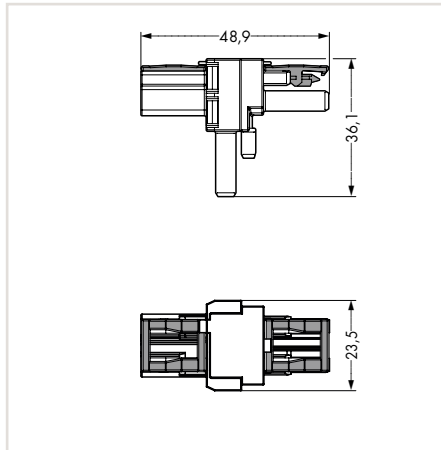
## Distribution Connectors, 2-Pole

### 770 Series

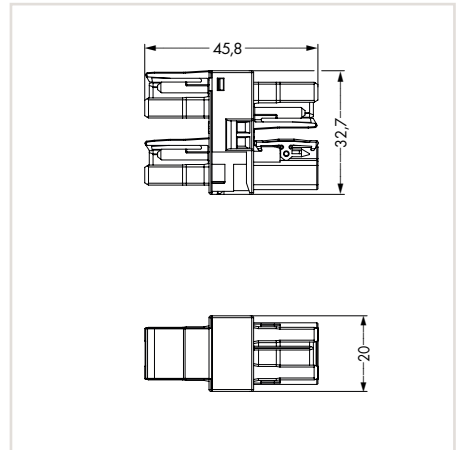
Rated voltage	250 V
Rated current	25 A



Dimensions (in mm):



Dimensions (in mm):



T-distribution connector,  
1 x plug/2 x socket

Color	Item No.	Pack. Unit
gray	770-1601	50
light green	770-1602	50
pink	770-1603	50

Distribution connector, 3-way,  
1 x plug/3 x socket

Color	Item No.	Pack. Unit
gray	770-1704	50
light green	770-1705	50
pink	770-1706	50

T-distribution connector,  
1 x plug/2 x socket,  
for "flying leads,"  
with 3rd locking lever

Color	Item No.	Pack. Unit
gray	770-1701	50
light green	770-1702	50
pink	770-1703	50

Additional pole markings available upon request.

770 Series Accessories,  
see page 355

Approvals,  
see www.wago.com

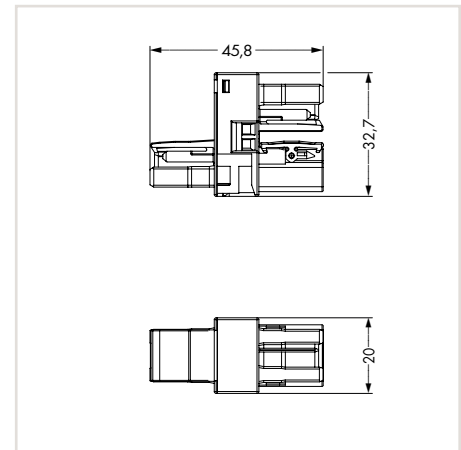
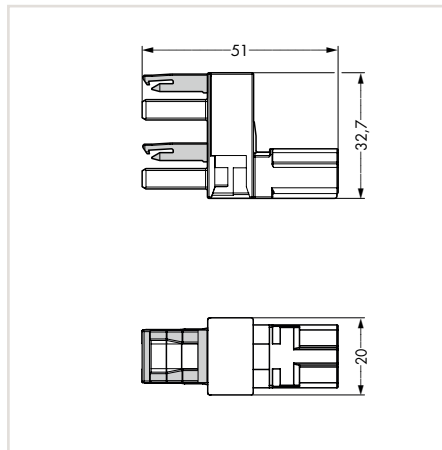
Coding overview,  
see page 374

Coding	Marking	Color
B	1 2	gray
B	1 2	light green
B	1 2	pink

Rated voltage	250 V
Rated current	25 A



Dimensions (in mm):



**h-distribution connector, unidirectional, plug/socket – socket**

Color	Item No.	Pack. Unit
○ gray	770-1651	50
● light green	770-1652	50
● pink	770-1653	50

**h-distribution connector, bi-directional, plug/socket – socket**

Color	Item No.	Pack. Unit
○ gray	770-1608	50
● light green	770-1609	50
● pink	770-1610	50

**h-distribution connector, unidirectional, plug/socket – socket, for "flying leads," with 3rd locking lever**

Color	Item No.	Pack. Unit
○ gray	770-1751	50
● light green	770-1752	50
● pink	770-1753	50

**h-distribution connector, bi-directional, plug/socket – socket, for "flying leads," with 3rd locking lever**

Color	Item No.	Pack. Unit
○ gray	770-1658	50
● light green	770-1659	50
● pink	770-1660	50

Coding	Marking	Color
B	1 2	○ gray
B	1 2	● light green
B	1 2	● pink

4

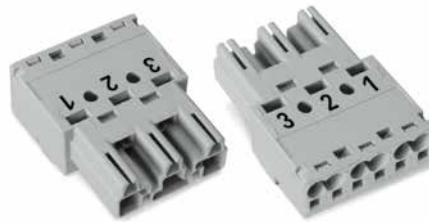
# WINSTA® MIDI special Sockets and Plugs, 3-Pole 770 Series



Snap on locking lever. Observe direction!

Conductor range, solid and fine-stranded
Conductor range, stranded
Rated voltage
Rated current
Strip length

0.5 ... 4 mm <sup>2</sup> / 20 ... 12 AWG
0.5 ... 2.5 mm <sup>2</sup> / 20 ... 14 AWG
250 V
25 A
9 mm / 0.35 inch

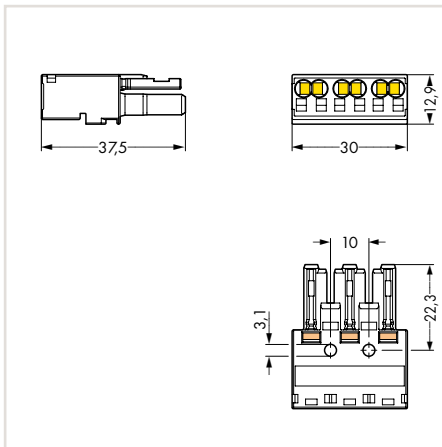


4

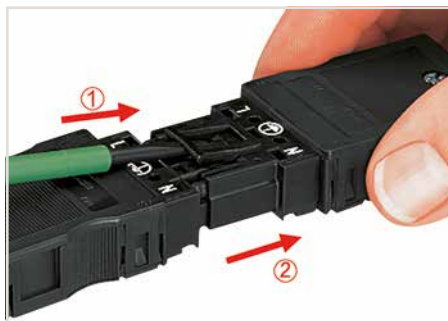
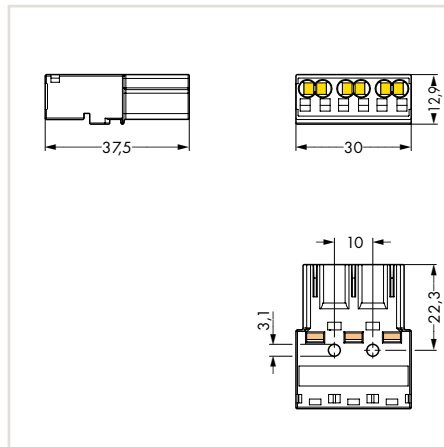


Locking lever, manually operated:  
 • Push on locking lever  
 • Pull the connectors apart

Dimensions (in mm):



Dimensions (in mm):



Locking lever, tool operated:  
 • Unlatch locking lever  
 • Pull the connectors apart

Socket, without strain relief housing		
Color	Item No.	Pack. Unit
○ gray	770-243	100
○ gray	770-243/060-000	100
○ gray	770-243/062-000	100
● light green	770-263	100
● light green	770-263/071-000	100
● light green	770-263/073-000	100
● pink	770-283	100
● pink	770-283/081-000	100
● pink	770-283/082-000	100

Plug, without strain relief housing		
Color	Item No.	Pack. Unit
○ gray	770-253	100
○ gray	770-253/060-000	100
○ gray	770-253/062-000	100
● light green	770-273	100
● light green	770-273/071-000	100
● light green	770-273/073-000	100
● pink	770-293	100
● pink	770-293/081-000	100
● pink	770-293/082-000	100

**Note:**  
 All connectors for fixed installations (snap-in versions for lighting fixtures or devices, all types of PCB and distribution connectors) are factory-equipped with locking levers to ensure plugs and sockets are securely locked. Additional locking levers are only required for "flying leads" (plug/socket).

770 Series Accessories, see page 355

Approvals, see www.wago.com

Coding overview, see page 374

Coding	Marking	Suffix No.	Color
B	1 2 3		○ gray
B	L ⊕ N	/060-000	○ gray
B	2 PE 1	/062-000	○ gray
B	1 2 3		● light green
B	U+ X/Y U-	/071-000	● light green
B	1 ⊕ 2	/073-000	● light green
B	1 2 3		● pink
B	1 2 5	/081-000	● pink
B	+ S -	/082-000	● pink

## WINSTA® MIDI special Strain Relief Housings for Different Cable Diameters, 3-Pole 770 Series

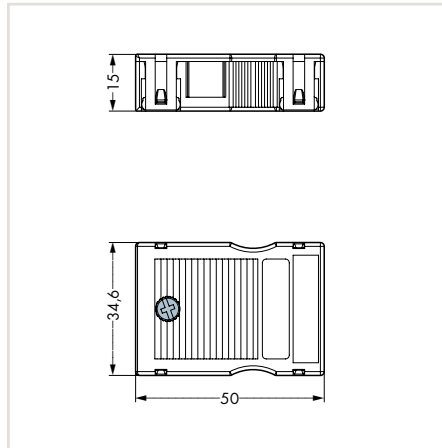


Snap-on type strain relief housings for:

- 3-pole sockets
- 3-pole plugs



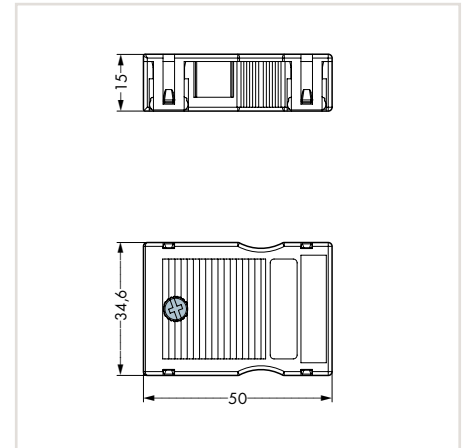
Dimensions (in mm):



Strain relief housing,  
for two cables,  
for 4.5 ... 8 mm cable diameter,  
55 mm strip length

Color	Item No.	Pack. Unit
black	770-503/023-000	50
white	770-513/023-000	50

Dimensions (in mm):





Strain relief housing,  
for two cables,  
for 8 ... 11.5 mm cable diameter,  
55 mm strip length


Color	Item No.	Pack. Unit
black	770-503	50
white	770-513	50

4

All strain relief housings are suitable for H05VV and NYM cables.  
Other cables are available upon request.

 Marking strips,  
see page 369

 Additional strain relief housings,  
see page 129

 Approvals,  
see [www.wago.com](http://www.wago.com)

# WINSTA® MIDI special

## Snap-In Sockets and Plugs, 3-Pole

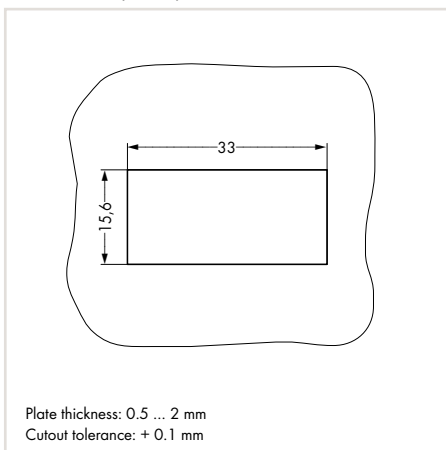
### 770 Series

Conductor range, solid and fine-stranded	0.5 ... 4 mm <sup>2</sup> / 20 ... 12 AWG
Conductor range, stranded	0.5 ... 2.5 mm <sup>2</sup> / 20 ... 14 AWG
Rated voltage	250 V
Rated current	25 A
Strip length	9 mm / 0.35 inch

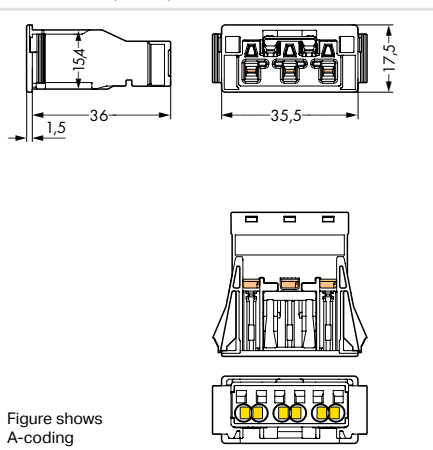


4

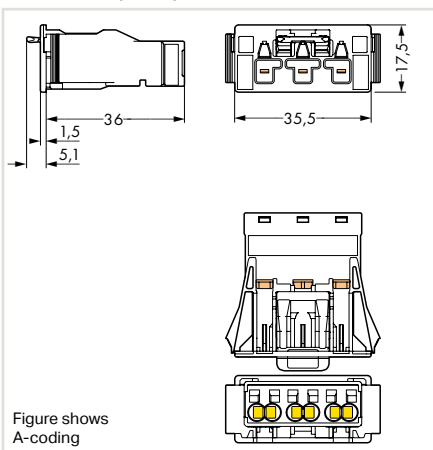
Dimensions (in mm):



Dimensions (in mm):



Dimensions (in mm):



Socket		
Color	Item No.	Pack. Unit
gray	770-743	100
gray	770-743/060-000	100
gray	770-743/062-000	100
light green	770-763	100
light green	770-763/071-000	100
light green	770-763/073-000	100
pink	770-783	100
pink	770-783/081-000	100
pink	770-783/082-000	100

Plugs		
Color	Item No.	Pack. Unit
gray	770-753	100
gray	770-753/060-000	100
gray	770-753/062-000	100
light green	770-773	100
light green	770-773/071-000	100
light green	770-773/073-000	100
pink	770-793	100
pink	770-793/081-000	100
pink	770-793/082-000	100

**Note:**  
All connectors for fixed installations (snap-in versions for lighting fixtures or devices, all types of PCB and distribution connectors) are factory-equipped with locking levers to ensure plugs and sockets are securely locked. Additional locking levers are only required for "flying leads" (plug/socket).

770 Series Accessories, see page 355

Approvals, see www.wago.com

Coding overview, see page 374

Coding	Marking	Suffix No.	Color
B	1 2 3		gray
B	L ⊕ N	/060-000	gray
B	2 PE 1	/062-000	gray
B	1 2 3		light green
B	U+ X/Y U-	/071-000	light green
B	1 ⊕ 2	/073-000	light green
B	1 2 3		pink
B	1 2 5	/081-000	pink
B	+ S -	/082-000	pink





# WINSTA® MIDI special

## Pluggable PCB Connectors, 3-Pole

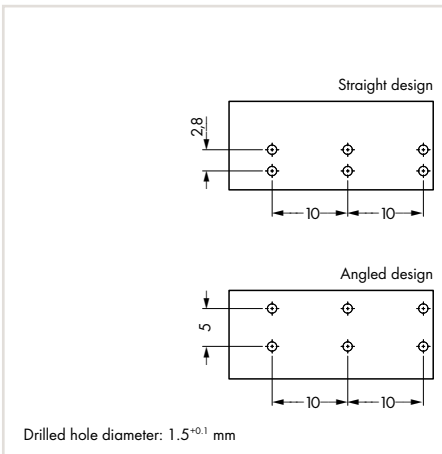
### 770 Series

Rated voltage	250 V
Rated current	25 A

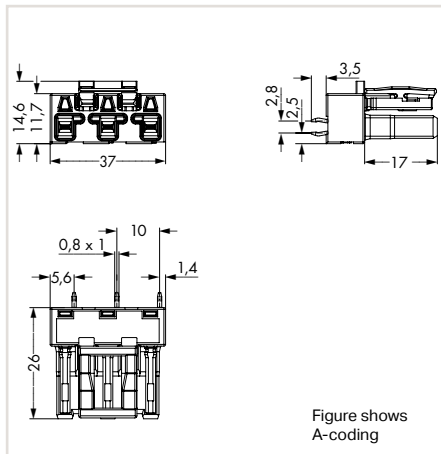


4

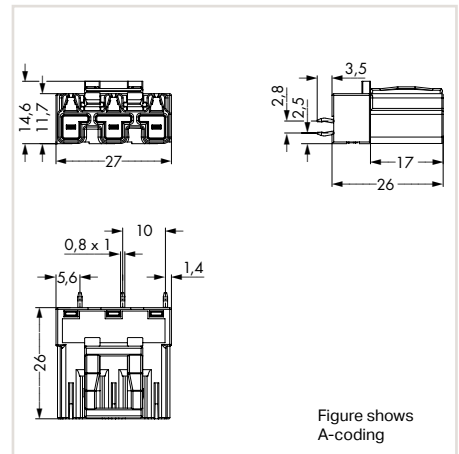
Dimensions (in mm):



Dimensions (in mm):



Dimensions (in mm):



Socket, straight		
Color	Item No.	Pack. Unit
gray	770-843	100
light green	770-863	100
pink	770-883	100

Plug, straight		
Color	Item No.	Pack. Unit
gray	770-853	100
light green	770-873	100
pink	770-893	100

Additional pole markings available upon request.

770 Series Accessories, see page 355

Approvals, see www.wago.com

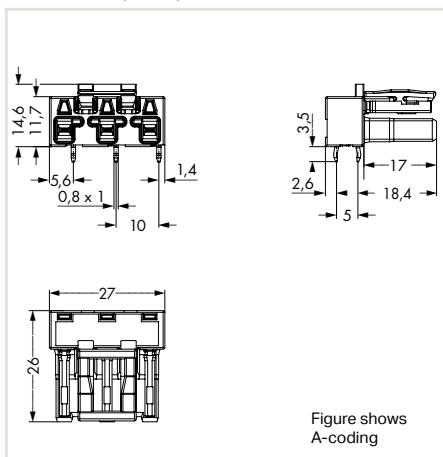
Coding overview, see page 374

Coding	Marking	Color
B	1 2 3	gray
B	1 2 3	light green
B	1 2 3	pink

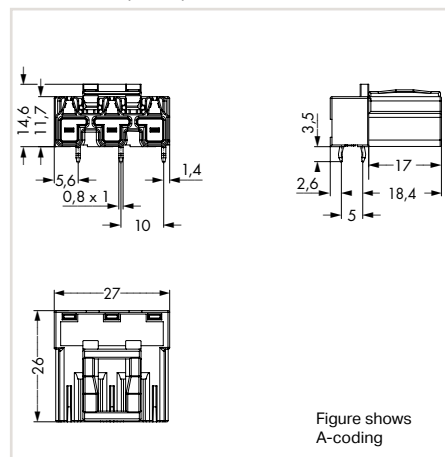
Rated voltage	250 V
Rated current	25 A



Dimensions (in mm):



Dimensions (in mm):



Socket, straight		
Color	Item No.	Pack. Unit
● gray	770-843/011-000	100
● light green	770-863/011-000	100
● pink	770-883/011-000	100

Plug, straight		
Color	Item No.	Pack. Unit
● gray	770-853/011-000	100
● light green	770-873/011-000	100
● pink	770-893/011-000	100

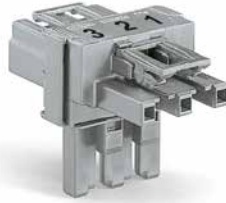
Coding	Marking	Color
B	1 2 3	● gray
B	1 2 3	● light green
B	1 2 3	● pink

# WINSTA® MIDI special

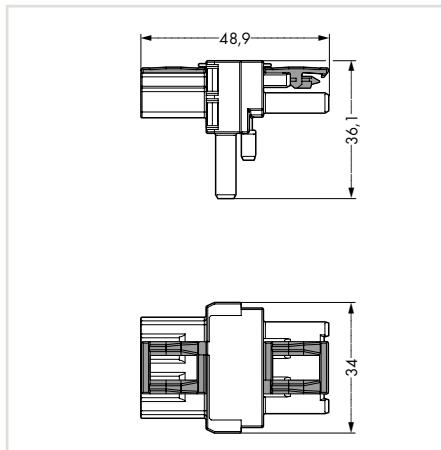
## T-Distribution Connectors, 3-Pole

### 770 Series

Rated voltage	250 V
Rated current	25 A



Dimensions (in mm):






**T-distribution connector,  
1 x plug/2 x socket**

Color	Item No.	Pack. Unit
○ gray	770-967	50
● light green	770-1612	50
● pink	770-1613	50

**T-distribution connector,  
1 x plug/2 x socket,  
for "flying leads,"  
with 3rd locking lever**

Color	Item No.	Pack. Unit
○ gray	770-970	50
● light green	770-1712	50
● pink	770-1713	50

Additional pole markings available upon request.

-  770 Series Accessories, see page 355
-  Approvals, see www.wago.com
-  Coding overview, see page 374

Coding	Marking	Color
B	1 2 3	○ gray
B	1 2 3	● light green
B	1 2 3	● pink

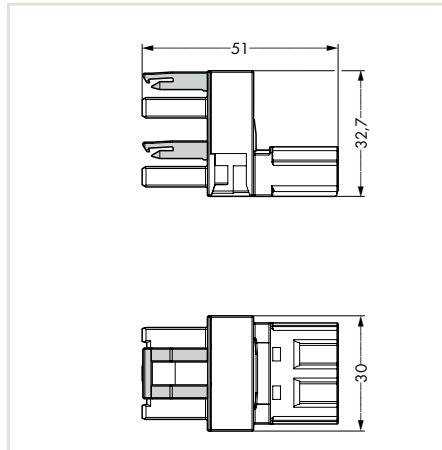
4

# WINSTA® MIDI special Distribution Connectors, 3-Pole 770 Series

Rated voltage	250 V
Rated current	25 A



Dimensions (in mm):

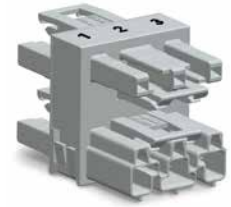


**h-distribution connector, unidirectional, plug/socket – socket**

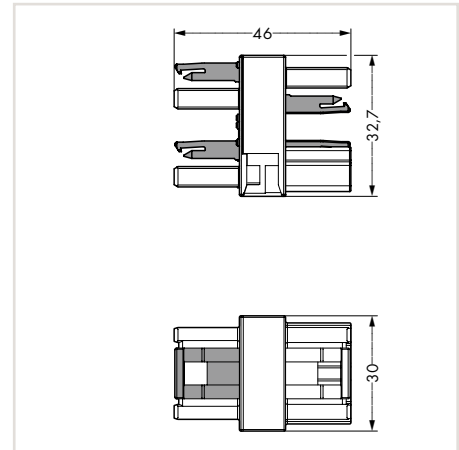
Color	Item No.	Pack. Unit
○ gray	770-1661	50
● light green	770-1662	50
● pink	770-1663	50

**h-distribution connector, unidirectional, plug/socket – socket, for “flying leads,” with 3rd locking lever**

Color	Item No.	Pack. Unit
○ gray	770-1761	50
● light green	770-1762	50
● pink	770-1763	50



Dimensions (in mm):



**Distribution connector, 3-way, 1 x plug/3 x socket**

Color	Item No.	Pack. Unit
○ gray	770-1714	50
● light green	770-1715	50
● pink	770-1716	50

4

Coding	Marking	Color
B	1 2 3	○ gray
B	1 2 3	● light green
B	1 2 3	● pink

# WINSTA® MIDI special Sockets and Plugs, 4-Pole 770 Series



Snap on locking lever – observe direction (picture shows 3-pole plug).

Conductor range, solid and fine-stranded	0.5 ... 4 mm <sup>2</sup> / 20 ... 12 AWG
Conductor range, stranded	0.5 ... 2.5 mm <sup>2</sup> / 20 ... 14 AWG
Rated voltage	400 V
Rated current	25 A (restrictions, see page 212)
Strip length	9 mm / 0.35 inch



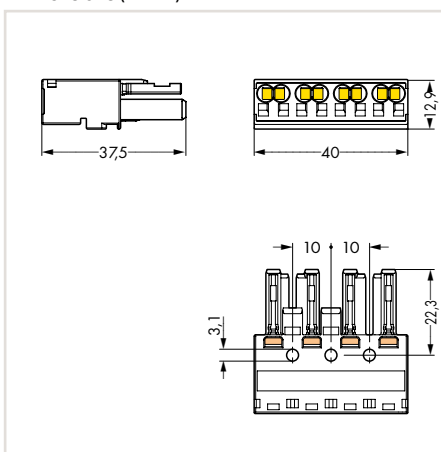
4



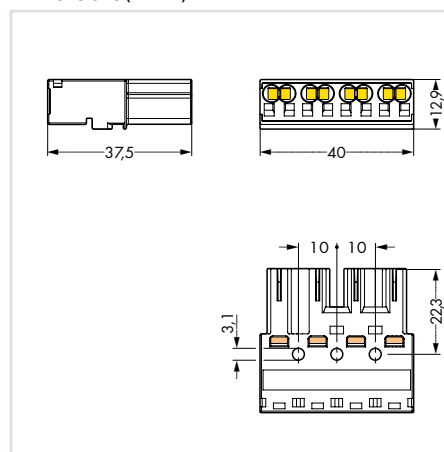
Locking lever, manually operated (picture shows 3-pole connectors):

- Push on locking lever
- Pull the connectors apart

Dimensions (in mm):



Dimensions (in mm):



Locking lever, tool operated (picture shows 3-pole connectors):

- Unlatch locking lever
- Pull the connectors apart

Socket, without strain relief housing		
Color	Item No.	Pack. Unit
○ gray	770-244	50
○ gray	770-244/060-000	50
○ gray	770-244/062-000	50
○ gray	770-244/064-000	50
● light green	770-264	50
● light green	770-264/071-000	50
● light green	770-264/072-000	50
● light green	770-264/073-000	50
● pink	770-284	50
● pink	770-284/081-000	50

Plug, without strain relief housing		
Color	Item No.	Pack. Unit
○ gray	770-254	50
○ gray	770-254/060-000	50
○ gray	770-254/062-000	50
○ gray	770-254/064-000	50
● light green	770-274	50
● light green	770-274/071-000	50
● light green	770-274/072-000	50
● light green	770-274/073-000	50
● pink	770-294	50
● pink	770-294/081-000	50

Additional pole markings available upon request.

**Note:**

All connectors for fixed installations (snap-in versions for lighting fixtures or devices, all types of PCB and distribution connectors) are factory-equipped with locking levers to ensure plugs and sockets are securely locked. Additional locking levers are only required for "flying leads" (plug/ socket).

770 Series Accessories, see page 355

Approvals, see www.wago.com

Coding overview, see page 374

Coding	Marking	Suffix No.	Color
B	1 2 3 4		○ gray
B	N ⊕ 2L 1L	/060-000	○ gray
B	3 PE 2 1	/062-000	○ gray
B	2L ⊕ 1L L	/064-000	○ gray
B	1 2 3 4		● light green
B	U- S U+ X/Y	/071-000	● light green
B	U- U+ DI AI	/072-000	● light green
B	1 ⊕ 2 3	/073-000	● light green
B	1 2 3 4		● pink
B	1 2 5 3	/081-000	● pink

# WINSTA® MIDI special

## Strain Relief Housings for Different Cable Diameters, 4-Pole 770 Series

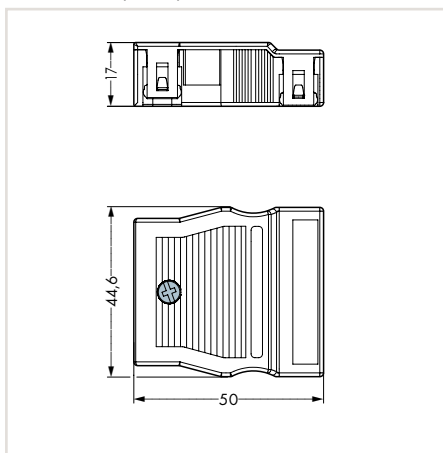


Snap-on type strain relief housings for:

- 4-pole sockets
- 4-pole plugs



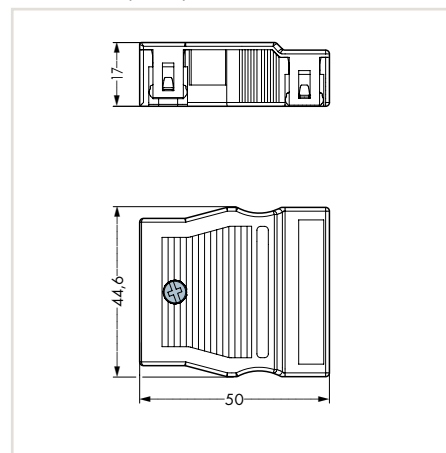
Dimensions (in mm):



Strain relief housing, for two cables, for 5 ... 9 mm cable diameter, 55 mm strip length

Color	Item No.	Pack. Unit
black	770-504/023-000	50
white	770-514/023-000	50

Dimensions (in mm):





Strain relief housing, for two cables, for 9 ... 13 mm cable diameter, 55 mm strip length

Color	Item No.	Pack. Unit
black	770-504	50
white	770-514	50

4

All strain relief housings are suitable for H05VV and NYM cables. Other cables are available upon request.

 Marking strips, see page 369

 Approvals, see www.wago.com

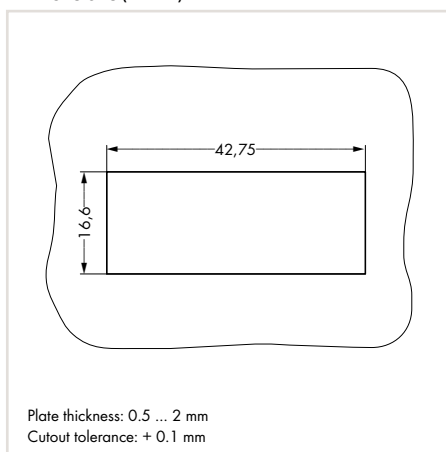
# WINSTA® MIDI special Snap-In Sockets and Plugs, 4-Pole 770 Series

Conductor range, solid and fine-stranded	0.5 ... 4 mm <sup>2</sup> / 20 ... 12 AWG
Conductor range, stranded	0.5 ... 2.5 mm <sup>2</sup> / 20 ... 14 AWG
Rated voltage	400 V
Rated current	25 A (restrictions, see page 212)
Strip length	9 mm / 0.35 inch

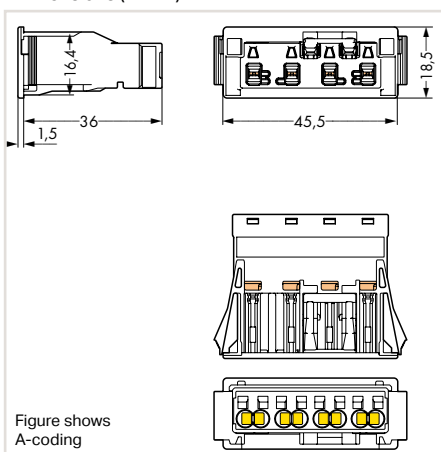


4

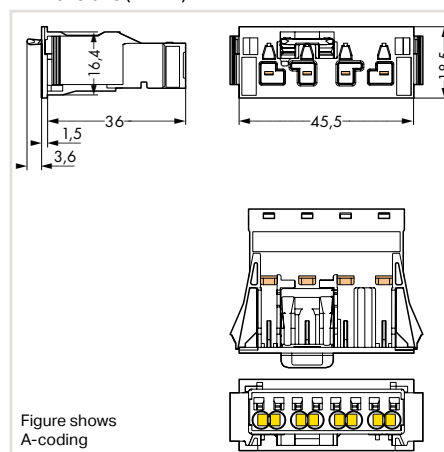
Dimensions (in mm):



Dimensions (in mm):



Dimensions (in mm):



Socket		
Color	Item No.	Pack. Unit
gray	770-744	50
gray	770-744/060-000	50
gray	770-744/062-000	50
gray	770-744/064-000	50
light green	770-764	50
light green	770-764/071-000	50
light green	770-764/072-000	50
light green	770-764/073-000	50
pink	770-784	50
pink	770-784/081-000	50

Plugs		
Color	Item No.	Pack. Unit
gray	770-754	50
gray	770-754/060-000	50
gray	770-754/062-000	50
gray	770-754/064-000	50
light green	770-774	50
light green	770-774/071-000	50
light green	770-774/072-000	50
light green	770-774/073-000	50
pink	770-794	50
pink	770-794/081-000	50

Additional pole markings available upon request.

**Note:**

All connectors for fixed installations (snap-in versions for lighting fixtures or devices, all types of PCB and distribution connectors) are factory-equipped with locking levers to ensure plugs and sockets are securely locked. Additional locking levers are only required for "flying leads" (plug/socket).

770 Series Accessories, see page 355

Approvals, see www.wago.com

Coding overview, see page 374

Coding	Marking	Suffix No.	Color
B	1 2 3 4		gray
B	N ⊕ 2L 1L	/060-000	gray
B	3 PE 2 1	/062-000	gray
B	2L ⊕ 1L L	/064-000	gray
B	1 2 3 4		light green
B	U- S U+ X/Y	/071-000	light green
B	U- U+ DI AI	/072-000	light green
B	1 ⊕ 2 3	/073-000	light green
B	1 2 3 4		pink
B	1 2 5 3	/081-000	pink





# WINSTA® MIDI special

## Pluggable PCB Connectors, 4-Pole

### 770 Series

Rated voltage

400 V

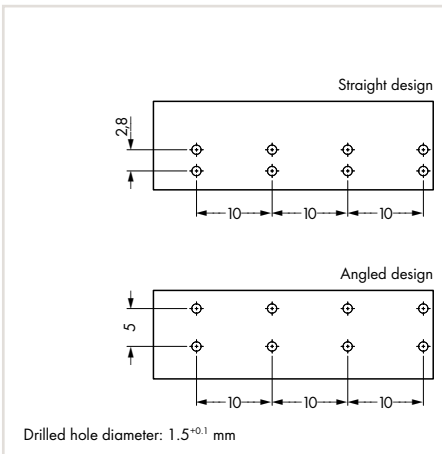
Rated current

25 A (restrictions, see page 212)

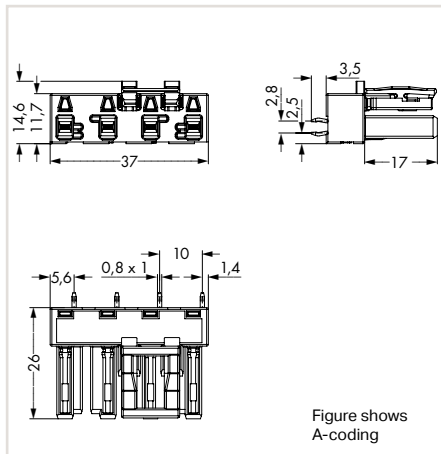


4

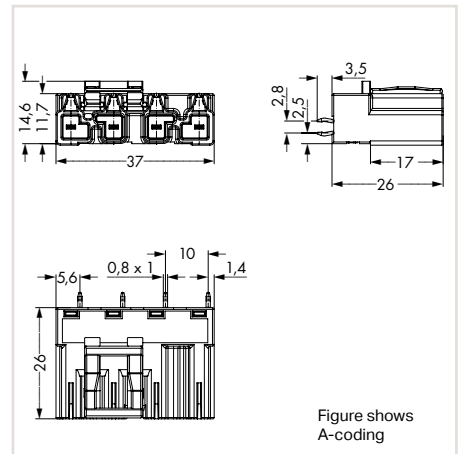
Dimensions (in mm):



Dimensions (in mm):



Dimensions (in mm):



#### Socket, straight

Color	Item No.	Pack. Unit
gray	770-844	100
light green	770-864	100
pink	770-884	100

#### Plug, straight

Color	Item No.	Pack. Unit
gray	770-854	100
light green	770-874	100
pink	770-894	100

Additional pole markings available upon request.

770 Series Accessories, see page 355

Approvals, see www.wago.com

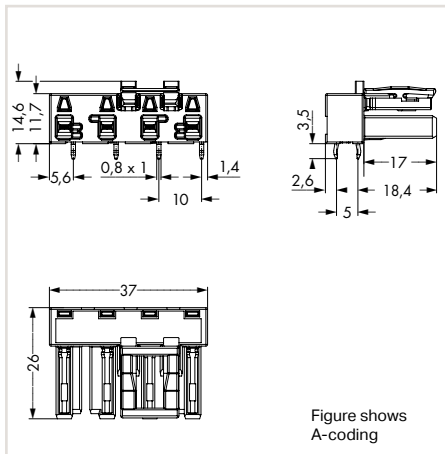
Coding overview, see page 374

Coding	Marking	Color
B	1 2 3 4	gray
B	1 2 3 4	light green
B	1 2 3 4	pink

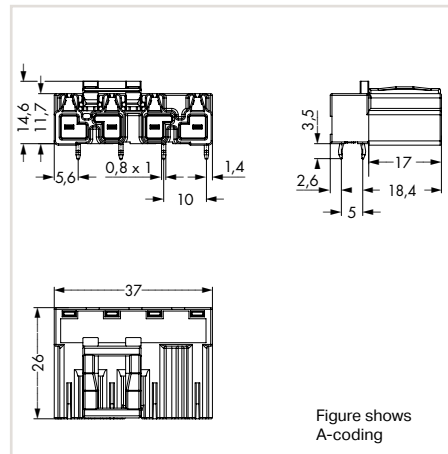
Rated voltage	400 V
Rated current	25 A (restrictions, see page 212)



Dimensions (in mm):



Dimensions (in mm):



Socket, straight		
Color	Item No.	Pack. Unit
● gray	770-844/011-000	100
● light green	770-864/011-000	100
● pink	770-884/011-000	100

Plug, straight		
Color	Item No.	Pack. Unit
● gray	770-854/011-000	100
● light green	770-874/011-000	100
● pink	770-894/011-000	100

Coding	Marking	Color
B	1 2 3 4	● gray
B	1 2 3 4	● light green
B	1 2 3 4	● pink

4

# WINSTA® MIDI special

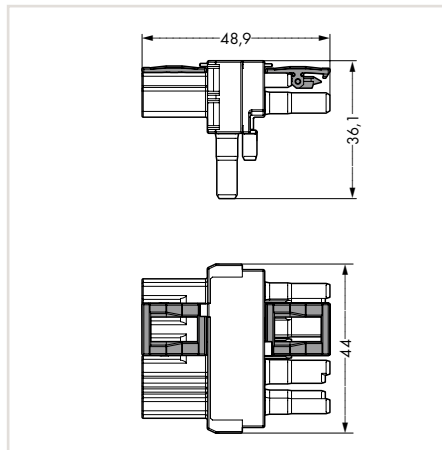
## T-Distribution Connectors, 4-Pole

### 770 Series

Rated voltage	400 V
Rated current	25 A (restrictions, see page 212)



Dimensions (in mm):



**T-distribution connector,  
1 x plug/2 x socket**

Color	Item No.	Pack. Unit
○ gray	770-1631	50
● light green	770-1632	50
● pink	770-1633	50

**T-distribution connector,  
1 x plug/2 x socket,  
for "flying leads,"  
with 3rd locking lever**

Color	Item No.	Pack. Unit
○ gray	770-1731	50
● light green	770-1732	50
● pink	770-1733	50

Additional pole markings available upon request.

- 770 Series Accessories, see page 355
- Approvals, see www.wago.com
- Coding overview, see page 374

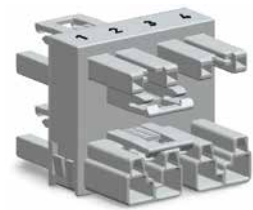
Coding	Marking	Color
B	1 2 3 4	○ gray
B	1 2 3 4	● light green
B	1 2 3 4	● pink

4

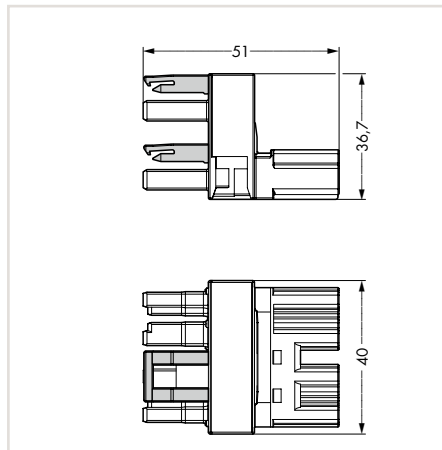
# WINSTA® MIDI special Distribution Connectors, 4-Pole 770 Series

Rated voltage	400 V
Rated current	25 A (restrictions, see page 212)

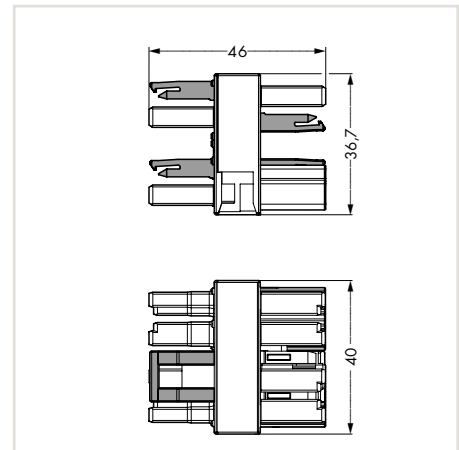
Rated voltage	400 V
Rated current	25 A (restrictions, see page 212)



Dimensions (in mm):



Dimensions (in mm):



**h-distribution connector, unidirectional,  
plug/socket – socket**

Color	Item No.	Pack. Unit
○ gray	770-1681	50
● light green	770-1682	50
● pink	770-1683	50

**Distribution connector, 3-way,  
1 x plug/3 x socket**

Color	Item No.	Pack. Unit
○ gray	770-1734	50
● light green	770-1735	50
● pink	770-1736	50

**h-distribution connector, unidirectional,  
plug/socket – socket,  
for "flying leads,"  
with 3rd locking lever**

Color	Item No.	Pack. Unit
○ gray	770-1781	50
● light green	770-1782	50
● pink	770-1783	50

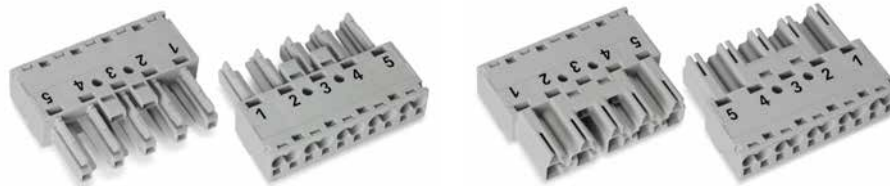
Coding	Marking	Color
B	1 2 3 4	○ gray
B	1 2 3 4	● light green
B	1 2 3 4	● pink

# WINSTA® MIDI special Sockets and Plugs, 5-Pole 770 Series

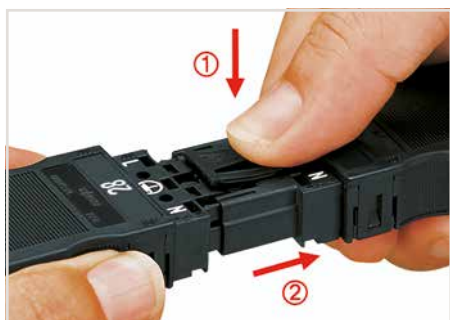


Snap on locking lever – observe direction (picture shows 3-pole plug).

Conductor range, solid and fine-stranded	0.5 ... 4 mm <sup>2</sup> / 20 ... 12 AWG
Conductor range, stranded	0.5 ... 2.5 mm <sup>2</sup> / 20 ... 14 AWG
Rated voltage	400 V
Rated current	25 A (restrictions, see page 212)
Strip length	9 mm / 0.35 inch



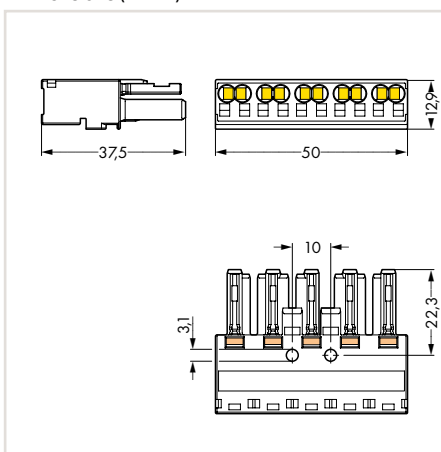
4



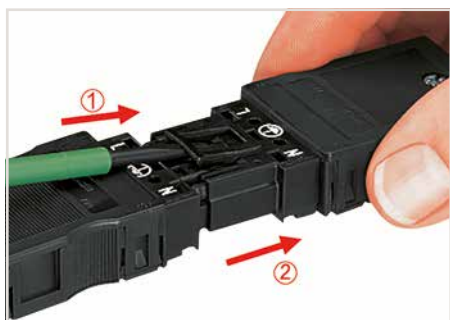
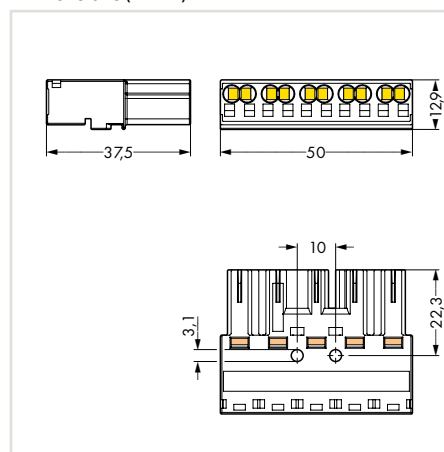
Locking lever, manually operated (picture shows 3-pole connectors):

- Push on locking lever
- Pull the connectors apart

Dimensions (in mm):



Dimensions (in mm):



Locking lever, tool operated (picture shows 3-pole connectors):

- Unlatch locking lever
- Pull the connectors apart

Socket, without strain relief housing		
Color	Item No.	Pack. Unit
○ gray	770-245	50
○ gray	770-245/060-000	50
○ gray	770-245/062-000	50
○ gray	770-245/064-000	50
● light green	770-265	50
● light green	770-265/073-000	50
● pink	770-285	50
● pink	770-285/080-000	50
● pink	770-285/082-000	50

Plug, without strain relief housing		
Color	Item No.	Pack. Unit
○ gray	770-255	50
○ gray	770-255/060-000	50
○ gray	770-255/062-000	50
○ gray	770-255/064-000	50
● light green	770-275	50
● light green	770-275/073-000	50
● pink	770-295	50
● pink	770-295/080-000	50
● pink	770-295/082-000	50

Additional pole markings available upon request.

**Note:**

All connectors for fixed installations (snap-in versions for lighting fixtures or devices, all types of PCB and distribution connectors) are factory-equipped with locking levers to ensure plugs and sockets are securely locked. Additional locking levers are only required for "flying leads" (plug/ socket).

770 Series Accessories, see page 355

Approvals, see www.wago.com

Coding overview, see page 374

Coding	Marking	Suffix No.	Color
B	1 2 3 4 5		○ gray
B	N ⊕ L1 L2 L3	/060-000	○ gray
B	N PE 3 2 1	/062-000	○ gray
B	N ⊕ L 2L 1L	/064-000	○ gray
B	1 2 3 4 5		● light green
B	1 ⊕ 2 3 4	/073-000	● light green
B	1 2 3 4 5		● pink
B	N ⊕ L I- I+	/080-000	● pink
B	N ⊕ L - +	/082-000	● pink

## WINSTA® MIDI special Strain Relief Housings for Different Cable Diameters, 5-Pole 770 Series

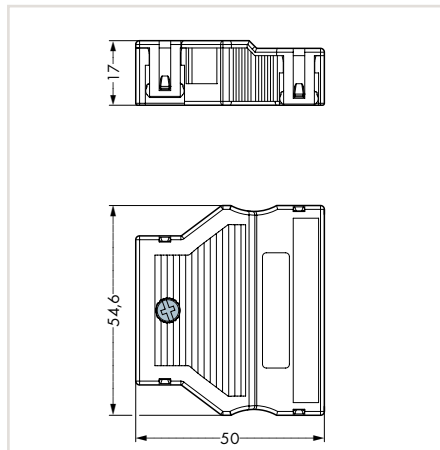


Snap-on type strain relief housings for:

- 5-pole sockets
- 5-pole plugs



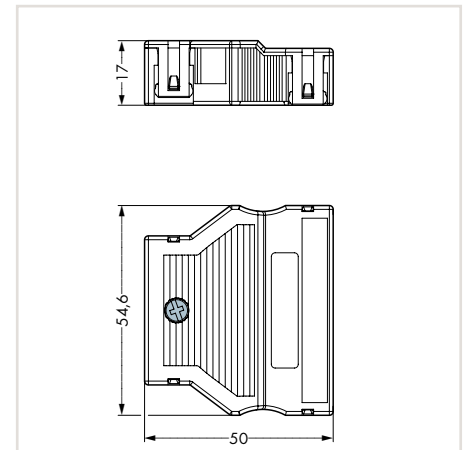
Dimensions (in mm):



Strain relief housing,  
for two cables, for 5 ... 9 mm cable diameter,  
55 mm strip length

Color	Item No.	Pack. Unit
black	770-505/023-000	25
white	770-515/023-000	25

Dimensions (in mm):




Strain relief housing,  
for two cables, for 9 ... 13 mm cable diameter,  
55 mm strip length


Color	Item No.	Pack. Unit
black	770-505	25
white	770-515	25


4

All strain relief housings are suitable for H05VV and NYM cables.

Other cables are available upon request.

 Marking strips,  
see page 369

 Additional strain relief housings,  
see page 177

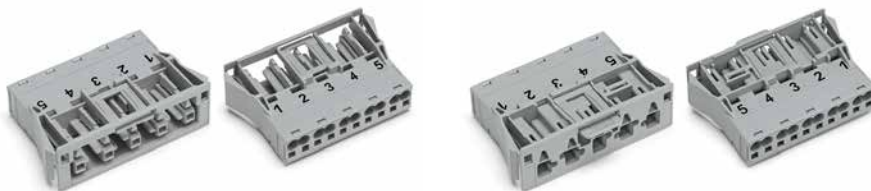
 Approvals,  
see [www.wago.com](http://www.wago.com)

# WINSTA® MIDI special

## Snap-In Sockets and Plugs, 5-Pole

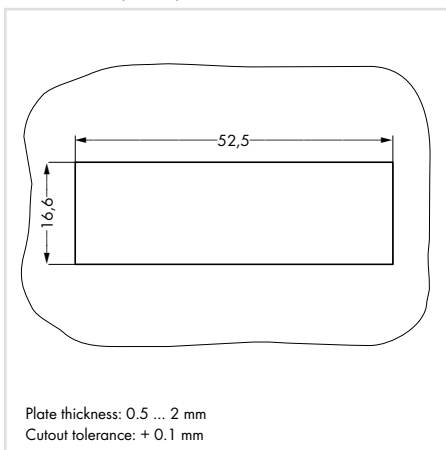
### 770 Series

Conductor range, solid and fine-stranded	0.5 ... 4 mm <sup>2</sup> / 20 ... 12 AWG
Conductor range, stranded	0.5 ... 2.5 mm <sup>2</sup> / 20 ... 14 AWG
Rated voltage	400 V
Rated current	25 A (restrictions, see page 212)
Strip length	9 mm / 0.35 inch

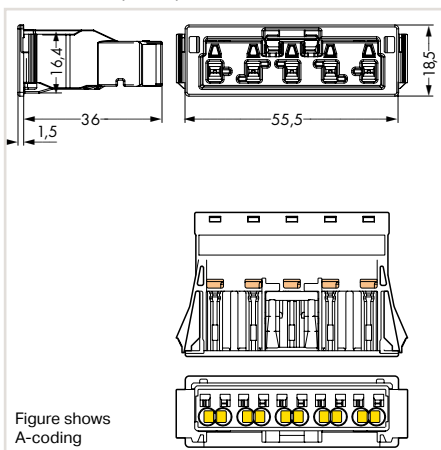


4

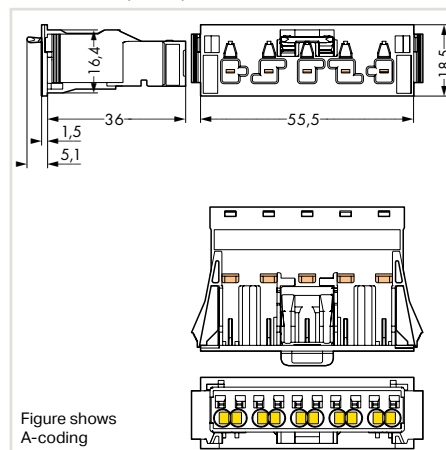
Dimensions (in mm):



Dimensions (in mm):



Dimensions (in mm):



Socket		
Color	Item No.	Pack. Unit
gray	770-745	50
gray	770-745/060-000	50
gray	770-745/062-000	50
gray	770-745/064-000	50
light green	770-765	50
light green	770-765/073-000	50
pink	770-785	50
pink	770-785/080-000	50
pink	770-785/082-000	50

Plugs		
Color	Item No.	Pack. Unit
gray	770-755	50
gray	770-755/060-000	50
gray	770-755/062-000	50
gray	770-755/064-000	50
light green	770-775	50
light green	770-775/073-000	50
pink	770-795	50
pink	770-795/080-000	50
pink	770-795/082-000	50

Additional pole markings available upon request.

**Note:**

All connectors for fixed installations (snap-in versions for lighting fixtures or devices, all types of PCB and distribution connectors) are factory-equipped with locking levers to ensure plugs and sockets are securely locked. Additional locking levers are only required for "flying leads" (plug/socket).

770 Series Accessories, see page 355

Approvals, see www.wago.com

Coding overview, see page 374

Coding	Marking	Suffix No.	Color
B	1 2 3 4 5		gray
B	N ⊕ L1 L2 L3	/060-000	gray
B	N PE 3 2 1	/062-000	gray
B	N ⊕ L 2L 1L	/064-000	gray
B	1 2 3 4 5		light green
B	1 ⊕ 2 3 4	/073-000	light green
B	1 2 3 4 5		pink
B	N ⊕ L I- I+	/080-000	pink
B	N ⊕ L - +	/082-000	pink





# WINSTA® MIDI special

## Pluggable PCB Connectors, 5-Pole

### 770 Series

Rated voltage

400 V

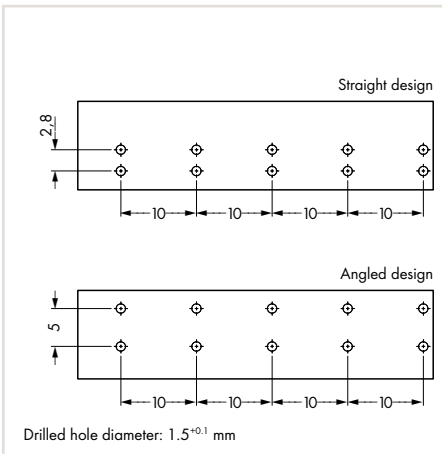
Rated current

25 A (restrictions, see page 212)

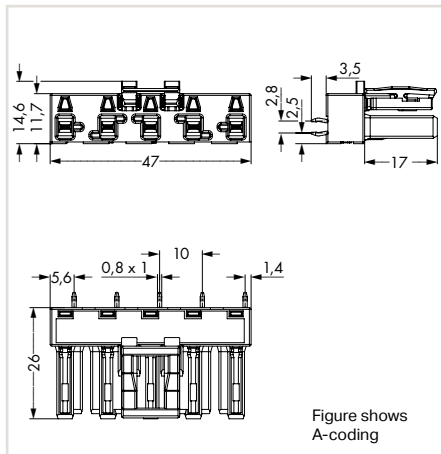


4

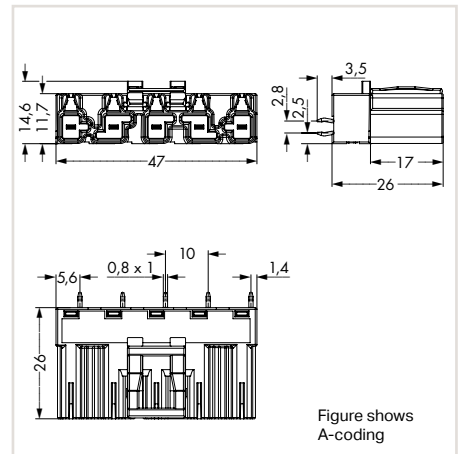
Dimensions (in mm):



Dimensions (in mm):



Dimensions (in mm):



#### Socket, straight

Color	Item No.	Pack. Unit
gray	770-845	100
light green	770-865	100
pink	770-885	100

#### Plug, straight

Color	Item No.	Pack. Unit
gray	770-855	100
light green	770-875	100
pink	770-895	100

Additional pole markings available upon request.

770 Series Accessories, see page 355

Approvals, see www.wago.com

Coding overview, see page 374

Coding

B

B

B

Marking

1 2 3 4 5

1 2 3 4 5

1 2 3 4 5

Color

gray

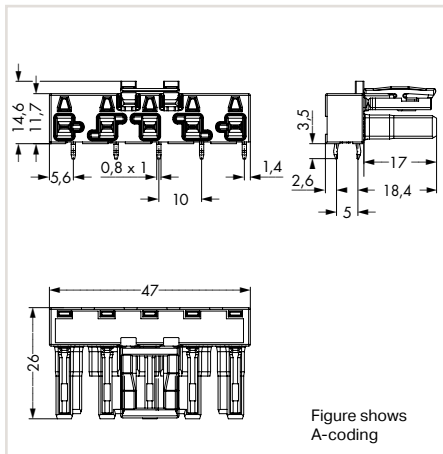
light green

pink

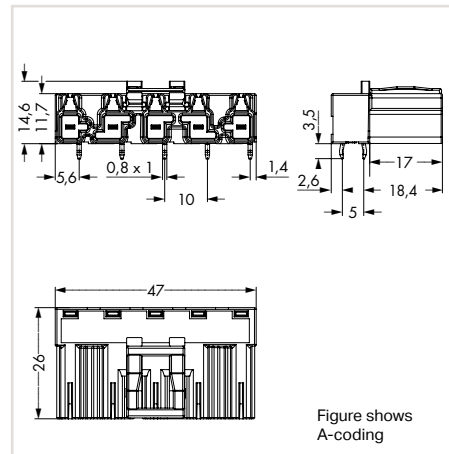
Rated voltage	400 V
Rated current	25 A (restrictions, see page 212)



Dimensions (in mm):



Dimensions (in mm):



Socket, straight		
Color	Item No.	Pack. Unit
● gray	770-845/011-000	100
● light green	770-865/011-000	100
● pink	770-885/011-000	100

Plug, straight		
Color	Item No.	Pack. Unit
● gray	770-855/011-000	100
● light green	770-875/011-000	100
● pink	770-895/011-000	100

Coding	Marking	Color
B	1 2 3 4 5	● gray
B	1 2 3 4 5	● light green
B	1 2 3 4 5	● pink

4

# WINSTA® MIDI special

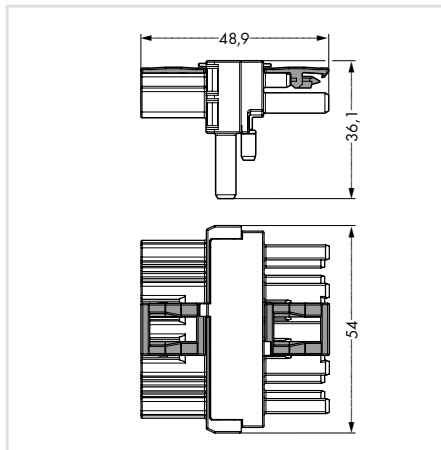
## T-Distribution Connectors, 5-Pole

### 770 Series

Rated voltage	400 V
Rated current	25 A (restrictions, see page 212)



Dimensions (in mm):



T-distribution connector,  
1 x plug/2 x socket

Color	Item No.	Pack. Unit
○ gray	770-1641	50
● light green	770-1642	50
● pink	770-1643	50

T-distribution connector,  
1 x plug/2 x socket,  
for "flying leads,"  
with 3rd locking lever

Color	Item No.	Pack. Unit
○ gray	770-1741	50
● light green	770-1742	50
● pink	770-1743	50

Additional pole markings available upon request.

- 770 Series Accessories, see page 355
- Approvals, see www.wago.com
- Coding overview, see page 374

Coding	Marking	Color
B	1 2 3 4 5	○ gray
B	1 2 3 4 5	● light green
B	1 2 3 4 5	● pink

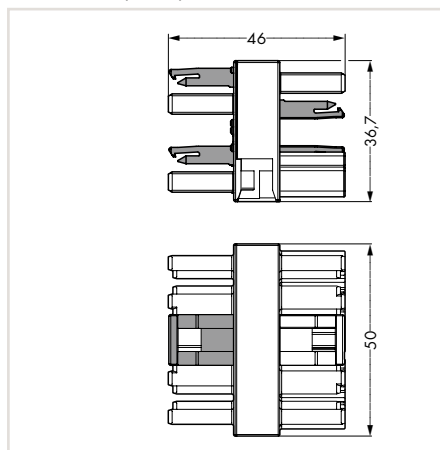
4

## WINSTA® MIDI special Distribution Connectors, 5-Pole 770 Series

Rated voltage	400 V
Rated current	25 A (restrictions, see page 212)



Dimensions (in mm):



Distribution connector, 3-way,  
1 x plug/3 x socket

Color	Item No.	Pack. Unit
○ gray	770-1744	25
● light green	770-1745	25
● pink	770-1746	25

Coding	Marking	Color
B	1 2 3 4 5	○ gray
B	1 2 3 4 5	● light green
B	1 2 3 4 5	● pink

# WINSTA® MIDI / WINSTA® MIDI special Accessories 770 / 771 Series



Locking lever, for flying leads, manually operated		
Color	Item No.	Pack. Unit
black	770-101	100(25)
white	770-121	100(25)

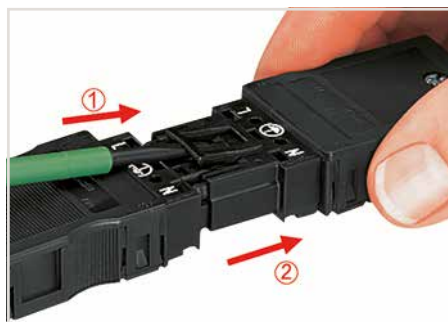
Locking lever, for flying leads, tool operated		
Color	Item No.	Pack. Unit
black	770-111	100(25)
white	770-131	100(25)

Locking lever, oversized, tool operated		
Color	Item No.	Pack. Unit
gray	770-140	100(25)



Locking lever, manually operated:

- Push on locking lever
- Pull the connectors apart



Locking lever, tool operated:

- Unlatch locking lever
- Pull the connectors apart



Snap-in connector with protruding locking lever

# WINSTA® MIDI / WINSTA® MIDI special Accessories 770 / 771 Series



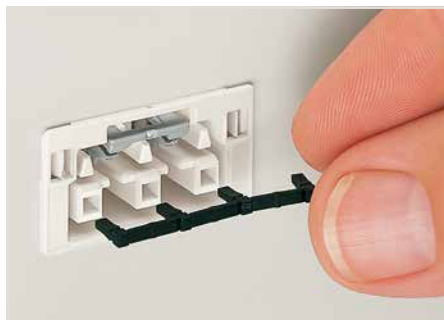
Coding pin, for plug (A- and B-coding)		
Color	Item No.	Pack. Unit
gray	770-401	100

Lockout cap, for socket, separable, 12-pole		
Color	Item No.	Pack. Unit
black	770-201	100
white	770-221	100

Lockout cap, for plug, separable, 5-pole		
Color	Item No.	Pack. Unit
yellow	770-360	100



Insert coding pin into the plug.



Seal an unmated socket by simply inserting a lock-out cap. This prevents the smallest particles from entering the socket.



Lockout cap, for cutout, 3-pole		
Color	Item No.	Pack. Unit
black	770-643	100
white	770-693	100



Shield connecting plate, for 3-pole plugs and sockets		
	Item No.	Pack. Unit
	770-523	25

Lockout cap, for cutout, 4-pole		
Color	Item No.	Pack. Unit
black	770-644	100
white	770-694	100

Lockout cap, for cutout, 5-pole		
Color	Item No.	Pack. Unit
black	770-645	100
white	770-695	100



Seal unused cutout with lockout cap.



Connector with shield termination

## WINSTA® MIDI / WINSTA® MIDI special

### Accessories

### 770 / 771 Series



Mounting adapter,  
for T-distribution connector,  
5-pole

Item No.	Pack. Unit
770-354	50



Mounting plate  
for distribution connector,  
2-pole

Color	Item No.	Pack. Unit
black	770-1626	25
white	770-1627	25



Mounting pin,  
for mounting plates,  
6 mm Ø, 1 ... 2.5 mm plate thickness

Color	Item No.	Pack. Unit
black	770-601	250

Mounting plate,  
for distribution connector,  
3-pole

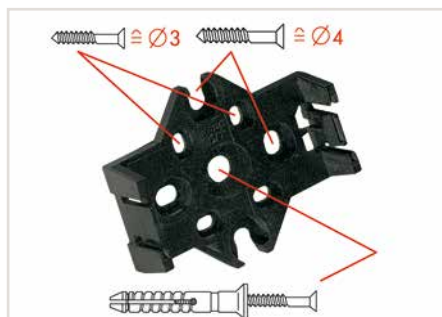
Color	Item No.	Pack. Unit
black	770-623	25
white	770-673	25

Mounting plate,  
for distribution connector,  
4-pole

Color	Item No.	Pack. Unit
black	770-624	25
white	770-674	25

Mounting plate,  
for distribution connector,  
5-pole

Color	Item No.	Pack. Unit
black	770-625	25
white	770-675	25



Mounting plates can be secured using commercially available screws or nail-drive anchors.



The mounting plate can be centrally mounted, or attached via outboard attachment points using 770-601 Mounting Pins.